



产品特性 Product features

- 快速安装的薄壁塑料轴承。采用尺寸适应性较好的CSB-EPB3M材料制成。同样可提供耐磨性能更为出色的CSB-EPB7材料
- 免维护，自润滑
- 侧面开槽设计，易于安装
- 开槽设计可补偿材料膨胀
- 适用于旋转、摇摆运动
- 对安装孔精度要求较低
- Thin-wall plastic bearing for quick installation. It is made with CSB-EPB3M material which is flexible for dimension variation. Alternative material CSB-EPB7 is also available for special wear resistance requirement
- Maintenance free, self-lubricated
- Side groove designation for easy assembly
- Groove design reserves the material expansion allowance
- Suitable for rotation and sliding motions
- Lower tolerance requirement for the mounting holes

结构设计 Structure design

CSB-PYB[®] 薄壁塑料轴承采用了比标准型塑料轴承更薄的壁厚设计，狭小的安装空间变得可能。斜开口缝的设计使得轴承装配变得简单。

CSB-PYB[®] thin wall plastic bearing is designed with thinner wall comparing with the standard plastic bearing for those applications with small assembly spaces. Slipped gap ensures easy assembly of the bearings.

材料设计 Material design

CSB-PYB[®] 薄壁塑料轴承同样采用耐磨性较好的CSB-EPB3M材料制成，轴承具有良好的自润滑性能，可以完全干运行；当然，由于CSB-EPB3M对各种润滑剂具有良好的抗性，所以使用过程中额外的润滑剂也是被允许的。

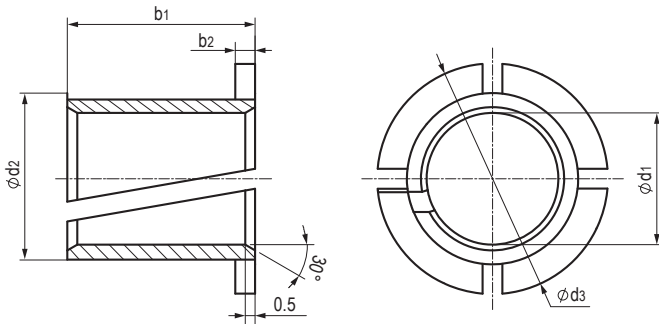
CSB-PYB[®] is also made from CSB-EPB3M material which is a good wear resistance polymer. The bearing self-lubricating performance is excellent for dry operation conditions. At the same time, continuous lubricating is allowed during the operation because this material is also with good isolation feature against the most common lubricants.

安装设计 Assembly design

薄壁塑料轴承螺旋形的斜槽可以保证它能被很容易地用手直接压入到配合座孔中。这个斜槽也能够补偿圆周方向的膨胀。因此，轴承仍有可能保持较小的间隙。薄壁塑料轴承的推荐使用座孔公差为H7，可用于最大为H13公差场合；薄壁塑料轴承允许在座孔中旋转。

The spiral shape slip gap could not only make the bearing easy to be pressed into the metal housing, but also help to compensate any possible material expansion caused by the squeeze derived from the pressing. The recommended housing tolerance is H7 while the bearing could fit with the housing tolerance range up to H13. The bearing is allowed to be rotating in the housing after assembling.

标准规格 Standard specifications



产品编码 Part No.:

PYB-04-04

高度 High

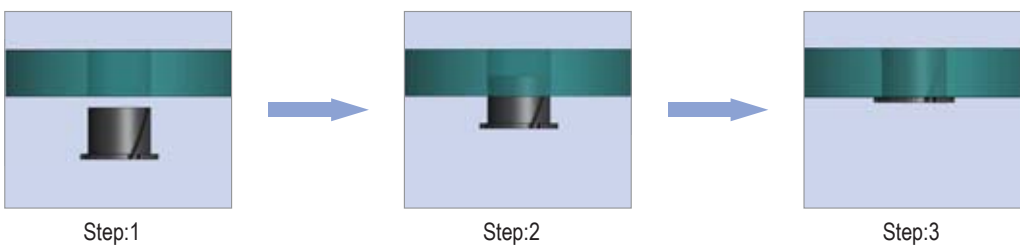
内径 Inner diameter

座孔 Housing: H7 轴 Shaft: h9

产品编码 Part No.	d_1 [mm]	公差 Tolerance [mm]	d_2 [mm]	$d_3 \pm 0.40$ [mm]	$b_{1[-0.40]}$ [mm]	$b_{2[-0.13]}$ [mm]
PYB-04-04	4	+0.025/+0.075	5.2	7.0	4	0.6
PYB-05-05	5	+0.025/+0.075	6.2	8.0	5	0.6
PYB-06-06	6	+0.025/+0.075	7.2	9.5	6	0.6
PYB-08-08	8	+0.025/+0.075	9.6	12.0	8	0.8
PYB-10-10	10	+0.025/+0.075	11.6	15.0	10	0.8
PYB-12-12	12	+0.025/+0.075	13.6	18.0	12	0.8
PYB-14-14	14	+0.025/+0.075	15.6	21.0	14	0.8
PYB-16-16	16	+0.025/+0.075	17.6	24.0	16	0.8
PYB-20-20	20	+0.025/+0.075	21.6	30.0	20	0.8
PYB-25-25	25	+0.025/+0.075	27.4	37.5	25	1.2

* d_1 公差为压入标准H7座孔（符合ISO3547-1）后公差 *Tolerance d_1 after fitting into housing H7 (ISO3547-1)

PYB薄壁塑料轴承安装方式 Thin-wall plastic bearings installation method



● 易用手装配 Easy assembly by hands