



产品特性 Product features

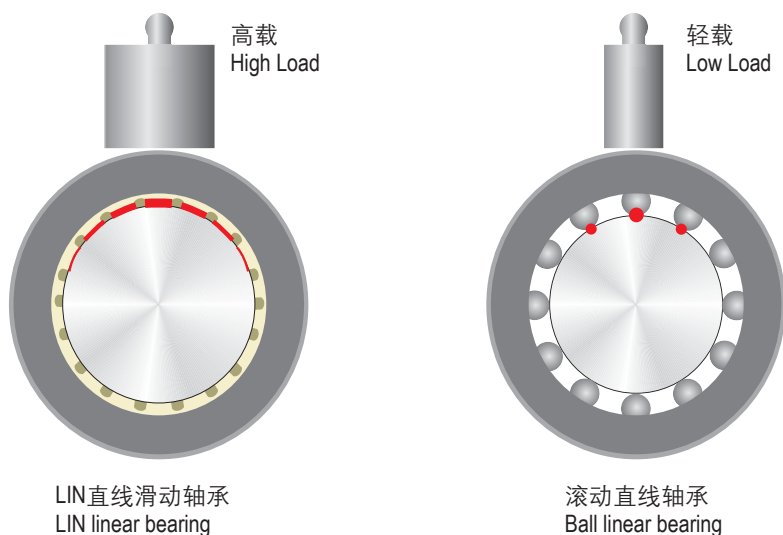
- 自润滑免维护塑料直线轴承。无噪音运行。适合在极其恶劣的粉尘环境中连续使用。允许被食品药品包装机械清洗液清洗。对轴材料硬度以及安装孔的精度要求较低
 - 免维护、长期干运行、无噪音
 - 适合灰尘中长期运行
 - 耐腐蚀，适合用消毒液清洗
 - 直槽设计易将灰尘排出摩擦面
 - 安装和替换简易
 - 适合轻量化设计
- Maintenance free plastic linear bearing. Low noise operation is suitable for continuously application under the extremely dusty environment. It is washable by the clean detergent of the food machine. There is no critical requirement about the shaft hardness or the mounting holes of the housing
 - Maintenance-free, dry operation, low noise
 - Suitable for long-time running in dusty environments
 - Corrosion resistance; Cleaning with disinfectant
 - Straight grooves design removes dust from the friction surface
 - Easy installation and replacement
 - Suitable for lightweight design

CSB-LIN® 直线轴承高承载能力

CSB-LIN® linear bearings with high loading capability

CSB-LIN® 塑料直线轴承作为一种直线滑动轴承，工作面是以面形式与轴表面接触，而传动的滚珠直线轴承是以点线的形式和轴表面接触；这就决定了较大接触面的LIN塑料直线轴承具有比滚珠直线轴承更高的承载能力。

As a linear sliding bearings, the contacting of the bearing and the shaft is a surface instead of point contact of the traditional ball bearings. So it results in that the surface contacting CSB-LIN® plastic linear bearings are with better loading capability than the sliding ball bearings.



CSB-LIN[®]直线轴承在污垢、灰尘中干运行

CSB-LIN[®] linear bearings used in extremely conditions of sands and dusts



CSB-LIN[®]直线轴承滑动膜是由高耐磨标准材料EPB13制成；特殊的直槽结构设计允许轴承在污垢、灰尘或沙粒中平稳运行，直槽能使得脏物很快速的落入到设计的凹槽中，并通过不断的直线运动最终被从凹槽中帶出直线轴承系统。而传统的金属滚动直线轴承在有污垢、灰尘或沙粒存在的情况下会很容易出现卡死、跑珠等现象而卡死，甚至会因卡死现象导致轴被拉伤。

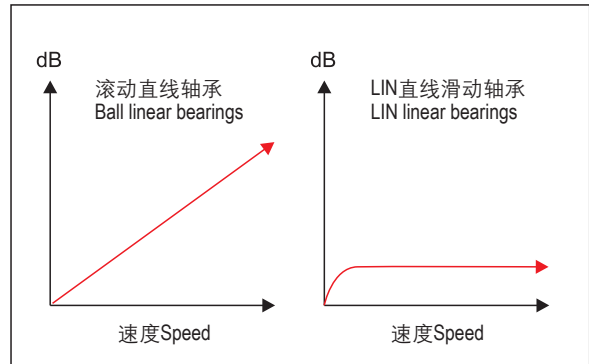
CSB-LIN[®] liners is made from high anti-wear material EPB13. The straight grooves design allows the bearing to be used in the extremely conditions such as in sands and dusts. The straight grooves design allows the sands or dusts entering the grooves and be brought out of the bearing system finally ,but the traditional ball bearings will be blocked by the entered sands or dusts, then the ball bearings moving system and the shaft surface will be damaged.

CSB-LIN[®]直线轴承低噪音运行

CSB-LIN[®] linear bearings operation with low noise

金属滚珠直线轴承由于滚珠在运动过程中与保持架体之间的撞击所发出的噪音，而且这种噪音会随着速度的加快而增高。但CSB-LIN[®]直线轴承的工作面为滑动摩擦设计，所以在运行过程中只能发出较低的摩擦声，运行噪音非常低。

Metal ball bearings generates high noise by the crashing of balls to the shafts during the operation and the noise will be sharply increased when the operation speed goes higher while the CSB-LIN[®] plastic linear bearings are with the surface contacting structure which ensures a lower operation noise level.



■ 噪音曲线对比图 Comparison of noise development

CSB-LIN[®]直线轴承允许经常接触清洗液

CSB-LIN[®] linear bearings allows the access of cleaning solution

CSB-LIN[®]直线轴承被经常用于食品包装机械的导向机构中，经常受到清洗液的冲刷；多年的使用证明CSB-LIN[®]直线轴承正如所设计的那样足够抵抗各类碱性清洗液的腐蚀，甚至能整体浸泡在液体介质中运行。

The CSB-LIN[®] plastic linear bearings are used in the food packing machine guiding system so it is easily access to the cleaning solutions. Years of application experience proves that the CSB-LIN[®] plastic linear bearings are corrosion resistant to most kinds of Alkaline cleaning solutions or could be even immersed into the solutions.

滑动膜技术数据表 Liners technical data table

材料性能 Material properties	测试标准 Standard	单位 Unit	CSB-EPB13	CSB-EPB5	CSB-MN2
颜色 Color	-	-	黄色 Yellow	黑色 Black	深灰 Dark grey
密度 Density	ISO1183	g/cm ³	1.48	1.44	1.65
最大吸湿率 Max. moisture absorption, 50%RH	ISO62	%	0.3	0.1	0.2
最大吸水率 Max. water absorption	ISO62	%	1.3	0.5	0.7
对钢动摩擦系数 Coefficient of sliding friction(steel)	ITS025	μ	0.05-0.15	0.09-0.25	0.10-0.18
极限PV值 Max. PV value	ITS026	N/mm ² × m/s	0.40	1.40	0.30
弯曲模量 Flexural modulus	ISO178	MPa	2600	4800	2400
弯曲强度 Flexural strength	ISO178	MPa	60	165	53
最大静载荷 Max. static load	ITS027	MPa	35	110	30
最大动载荷 Max. dynamic load	ITS028	MPa	14	61	12
邵氏硬度 Shore hardness	ISO868	D	74	82	73
连续运行温度 Long-term application temperature	ITS029	°C	+90	+250	+90
短时运行温度 Short-term application temperature	ITS029	°C	+120	+315	+120
最低运行温度 Lowest application temperature	ITS029	°C	-50	-100	-50
导热性 Thermal conductivity	ISO22007	W/m/K	0.25	0.55	0.24
线性热膨胀系数 Coefficient of thermal expansion	ISO11359	K ⁻¹ × 10 ⁻⁵	10	6	8
阻燃等级 Flammability	UL94	Class	HB	V0	HB
体电阻率 Volume resistance	IEC60093	Ω · cm	>10 ¹³	>10 ⁸	>10 ⁸
面电阻率 Surface resistance	IEC60093	Ω	>10 ¹²	>10 ⁷	>10 ⁸

*ITS: CSB内部测试标准 CSB company' s internal test standards.

**除非特殊说明测试温度为23℃ Test temperatures are 23℃ unless otherwise stated.

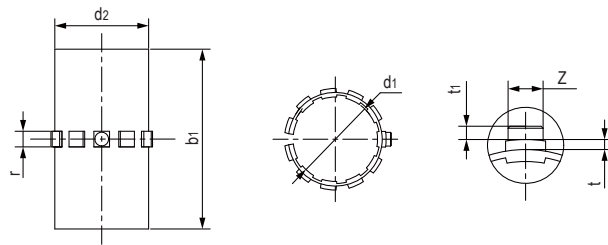
CSB-LIN®直线轴承承载能力 Load capacity

滑动膜材料: CSB-EPB13

Liner material: CSB-EPB13

内径 Inner diameter [mm]	最大许可动载荷 [N] Max. Dynamic Load P=5MPa		最大许可静载荷 [N] Max. Static Load P=35MPa	
	LIN-11 滑动膜 LIN-11 Liners	LIN-12 滑动膜 LIN-12 Liners	LIN-11 滑动膜 LIN-11 Liners	LIN-12 滑动膜 LIN-12 Liners
10	870	780	6090	5460
12	1152	1008	8064	7056
16	1728	1440	12096	10080
20	2700	1800	18900	12600
25	4350	3000	30650	21000
30	6120	4500	42840	31500
40	9600	7200	67200	50400
50	15000	10500	105000	73500

LIN-11 滑动膜 Liners

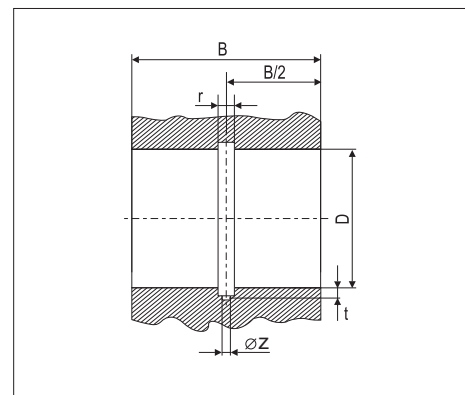


座孔 Housing: H7 轴 Shaft: h6-h9

产品编码 Part No.	d ₁ [mm]	公差 Tolerance [mm]	d ₂ [mm]	b ₁ [mm]	t [mm]	t ₁ [mm]	Z [mm]	r[-0.1/-0.2] [mm]	重量 Weight [g]
LIN-11-10	10	+0.030/+0.070	12	28	0.8	0.8	2.5	3.0	1.3
LIN-11-12	12	+0.030/+0.070	14	31	0.8	1.0	3.0	3.0	1.6
LIN-11-16	16	+0.030/+0.070	18	35	0.8	1.2	3.5	3.5	2.2
LIN-11-20	20	+0.030/+0.070	23	44	0.8	1.2	3.5	5.0	5.0
LIN-11-25	25	+0.030/+0.070	28	57	0.8	1.5	4.0	5.0	8.0
LIN-11-30	30	+0.040/+0.085	34	67	0.8	1.5	4.0	5.0	15.1
LIN-11-40	40	+0.040/+0.085	44	79	1.3	2.0	5.0	6.0	25.6
LIN-11-50	50	+0.050/+0.100	55	99	1.3	2.0	6.0	7.0	50.6

装配尺寸 Installation size

产品编码 Part No.	轴径 Shaft [mm]	D H7 [mm]	B h10 [mm]	r ^{+0.5} [mm]	t ^{+0.05} [mm]	Z ^{+0.2} [mm]
LIN-11-10	10	12	29	3.0	0.8	2.6
LIN-11-12	12	14	32	3.0	1.0	3.1
LIN-11-16	16	18	36	3.5	1.2	3.6
LIN-11-20	20	23	45	5.0	1.2	3.6
LIN-11-25	25	28	58	5.0	1.5	4.1
LIN-11-30	30	34	68	5.0	1.5	4.1
LIN-11-40	40	44	80	6.0	2.0	5.1
LIN-11-50	50	55	100	7.0	2.0	6.1



配合LIN-11滑动膜产品:

LIN-11 Liners are used in:



LIN-11R



LIN-11RF



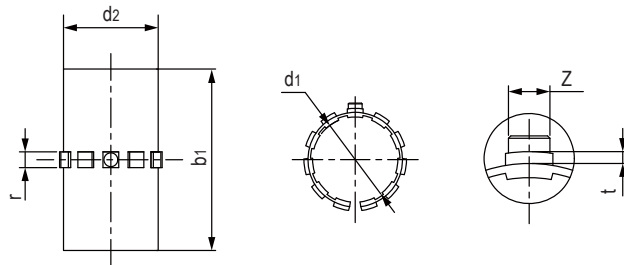
LIN-11B

产品编码 Part No.:

LIN-11-10

内径 Inner diameter

标准系列11 Standard series 11

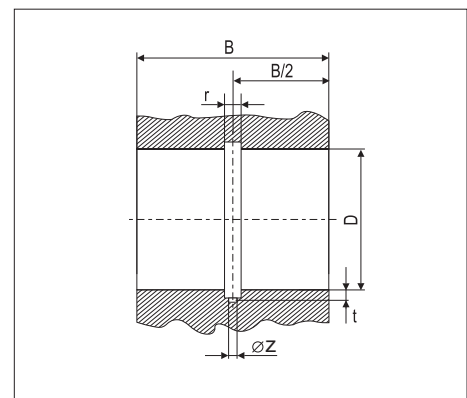
LIN-12 滑动膜 Liners


座孔 Housing: H7 轴 Shaft: h6-h9

产品编码 Part No.	d ₁ [mm]	公差 Tolerance [mm]	d ₂ [mm]	b ₁ [mm]	t [mm]	Z [mm]	r[-0.1/-0.2] [mm]	重量 Weight [g]
LIN-12-10	10	+0.030/+0.070	12	25	0.8	2.5	3.0	1.1
LIN-12-12	12	+0.030/+0.070	14	27	0.8	3.0	3.0	1.4
LIN-12-16	16	+0.030/+0.070	18	29	0.8	3.5	3.5	1.9
LIN-12-20	20	+0.030/+0.070	23	29	0.8	3.5	5.0	3.3
LIN-12-25	25	+0.030/+0.070	28	39	0.8	4.0	5.0	5.5
LIN-12-30	30	+0.040/+0.085	34	49	0.8	4.0	5.0	11.1
LIN-12-40	40	+0.040/+0.085	44	59	1.3	5.0	6.0	19.0
LIN-12-50	50	+0.050/+0.100	55	69	1.3	6.0	7.0	35.3

装配尺寸 Installation size

产品编码 Part No.	轴径 Shaft [mm]	D H7 [mm]	B h10 [mm]	r ^{+0.5} [mm]	t ^{+0.05} [mm]	Z ^{+0.2} [mm]
LIN-12-10	10	12	26	3.0	0.8	2.6
LIN-12-12	12	14	28	3.0	0.8	3.1
LIN-12-16	16	18	30	3.5	0.8	3.6
LIN-12-20	20	23	30	5.0	0.8	3.6
LIN-12-25	25	28	40	5.0	0.8	4.1
LIN-12-30	30	34	50	5.0	0.8	4.1
LIN-12-40	40	44	60	6.0	1.3	5.1
LIN-12-50	50	55	70	7.0	1.3	6.1


配合LIN-12滑动膜产品:

LIN-12 Liners are used in:



LIN-12R

LIN-12RTL

LIN-12RTM

LIN-12B

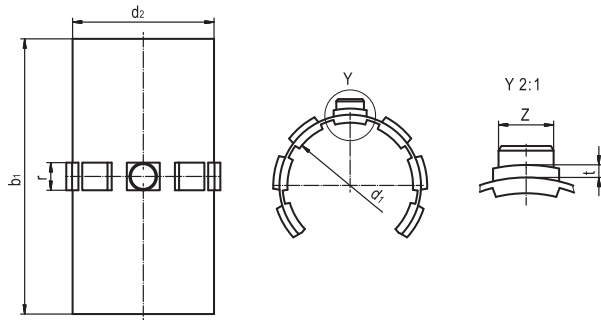
产品编码 Part No.:

LIN-12-10

内径 Inner diameter

标准系列12 Standard series 12

LIN-11K滑动膜 Liners

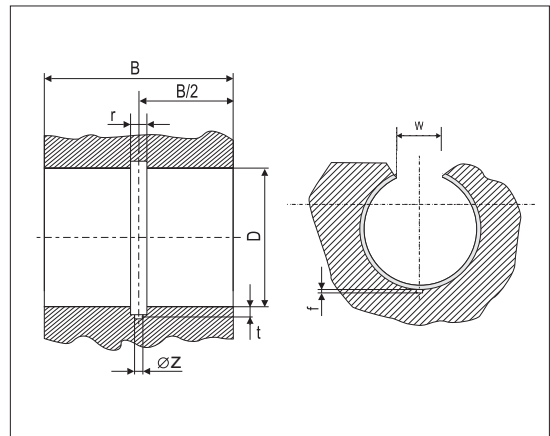


座孔 Housing: H7 轴 Shaft: h6-h9

产品编码 Part No.	d ₁ [mm]	公差 Tolerance [mm]	d ₂ [mm]	b ₁ [mm]	t [mm]	Z [mm]	r[-0.1/-0.2] [mm]	重量 Weight [g]
LIN-11K-10	10	+0.030/+0.070	12	28	0.8	2.5	3.0	1.0
LIN-11K-12	12	+0.030/+0.070	14	31	0.8	3.0	3.0	1.3
LIN-11K-16	16	+0.030/+0.070	18	35	0.8	3.5	3.5	1.9
LIN-11K-20	20	+0.030/+0.070	23	44	0.8	3.5	5.0	4.5
LIN-11K-25	25	+0.030/+0.070	28	57	0.8	4.0	5.0	7.5
LIN-11K-30	30	+0.040/+0.085	34	67	0.8	4.0	5.0	14.5
LIN-11K-40	40	+0.040/+0.085	44	79	1.3	5.0	6.0	24.5
LIN-11K-50	50	+0.050/+0.100	55	99	1.3	6.0	7.0	49.0

装配尺寸 Installation size

产品编码 Part No.	轴径 Shaft [mm]	D H7 [mm]	B h10 [mm]	W [mm]	r ^{+0.5} [mm]	t ^{+0.05} [mm]	f ^{+0.1} [mm]	Z ^{+0.2} [mm]
LIN-11K-10	10	12	29	7.3	3.0	2.6	1.0	2.6
LIN-11K-12	12	14	32	9.0	3.0	3.1	1.5	3.1
LIN-11K-16	16	18	36	11.6	3.5	3.6	1.7	3.6
LIN-11K-20	20	23	45	12.0	5.0	3.6	2.0	3.6
LIN-11K-25	25	28	58	14.5	5.0	4.1	2.0	4.1
LIN-11K-30	30	34	68	16.6	5.0	4.1	2.0	4.1
LIN-11K-40	40	44	80	21.0	6.0	5.1	2.5	5.1
LIN-11K-50	50	55	100	25.5	7.0	6.1	2.5	6.1



配合LIN-11K滑动膜产品:

LIN-11K Liners are used in:



LIN-11RK



LIN-11RSK



LIN-11BK

产品编码 Part No.:

LIN-11K-10

内径 Inner diameter

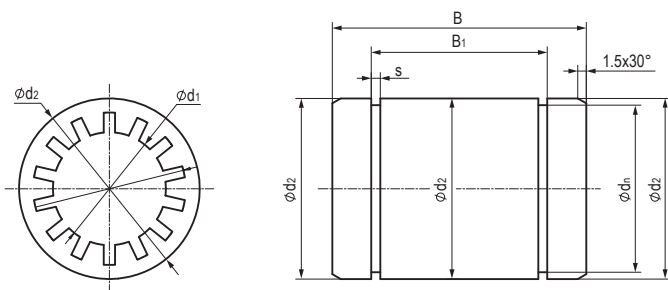
标准开口系列11K Standard split type 11K

LIN-00 全塑料直线轴承 Plastic linear bearings



- 高性能材料EPB13制成
- 过盈配合压装
- 卡簧轴向加固
- 标准配合公差E9
- 适用于污垢或灰尘环境
- 使用温度-20℃/+60℃
- Made from EPB13 high-performance polymers
- Assembly by press fitting
- Axial secured by circlips
- Standard tolerance E9
- Unaffected by dirt and dust
- Operation temperature -20℃/+60℃

标准规格 Standard specifications



产品编码 Part No.:

LIN-00-06

轴承内径 Inner diameter

LIN-00 系列直线轴承
LIN-00 standard bearings

座孔 Housing: H7 轴 Shaft: h6-h9

产品编码 Part No.	d ₁ [mm]	公差 Tolerance [mm]	d ₂ [mm]	B [mm]	B ₁ [mm]	s [mm]	d ₁ [mm]
LIN-00-06	6	+0.020/+0.050	12	19	13.5	1.1	11.5
LIN-00-08	8	+0.025/+0.061	16	25	16.2	1.1	15.2
LIN-00-10	10	+0.032/+0.075	19	29	21.6	1.3	17.5
LIN-00-12	12	+0.032/+0.075	22	32	22.6	1.3	20.5
LIN-00-16	16	+0.032/+0.075	26	36	24.6	1.3	24.2
LIN-00-20	20	+0.040/+0.092	32	45	31.2	1.6	29.6
LIN-00-25	25	+0.040/+0.092	40	58	43.7	1.85	36.5
LIN-00-30	30	+0.040/+0.092	47	68	51.7	1.85	43.5

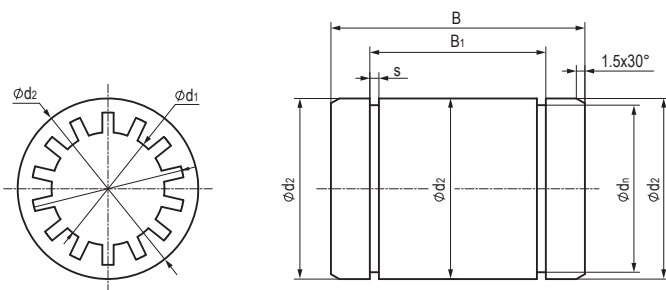
产品编码 Part No.	轴径 Shaft [mm]	座孔 Housing [mm]	公差 Tolerance [mm]	F max. [N] 最大动载荷 Dynamic Load P=2.5MPa	F max. [N] 最大静载荷 Static Load P=17.5MPa	重量 Weight [g]
LIN-00-06	6	12	0/+0.018	200	1400	2
LIN-00-08	8	16	0/+0.018	250	1750	4
LIN-00-10	10	19	0/+0.021	363	2538	7
LIN-00-12	12	22	0/+0.021	480	3360	9
LIN-00-16	16	26	0/+0.021	720	5040	13
LIN-00-20	20	32	0/+0.025	1125	7875	24
LIN-00-25	25	40	0/+0.025	1813	12688	47
LIN-00-30	30	47	0/+0.025	2550	17850	72

LIN-01 全塑料直线轴承 Plastic linear bearings



- 高性能EPB13材料制成
- 易用手直接装配
- 卡簧轴向固定
- 较小的配合间隙
- 适用于污垢或灰尘环境
- 使用温度-20℃/+60℃
- Made from EPB13 high-performance polymers
- Easy assembly by hand
- Axial secured by circlips
- Reduced bearing clearance
- Unaffected by dirt and dust
- Operation temperature -20℃/+60℃

标准规格 Standard specifications



产品编码 Part No.:

LIN-01-06

轴承内径 Inner diameter

LIN-01 系列直线轴承
LIN-01 standard bearings

座孔 Housing: H7 轴 Shaft: h6-h9

产品编码 Part No.	d_1 [mm]	公差 Tolerance [mm]	d_2 [mm]	B [mm]	B_1 [mm]	s [mm]	d_h [mm]
LIN-01-06	6	0/+0.03	12	19	13.5	1.1	11.5
LIN-01-08	8	0/+0.04	16	25	16.2	1.1	15.2
LIN-01-10	10	0/+0.04	19	29	21.6	1.3	17.5
LIN-01-12	12	0/+0.04	22	32	22.6	1.3	20.5
LIN-01-16	16	0/+0.04	26	36	24.6	1.3	24.2
LIN-01-20	20	0/+0.04	32	45	31.2	1.6	29.6
LIN-01-25	25	0/+0.05	40	58	43.7	1.85	36.5
LIN-01-30	30	0/+0.05	47	68	51.7	1.85	43.5

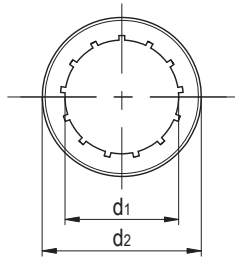
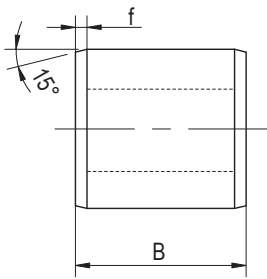
产品编码 Part No.	轴径 Shaft [mm]	座孔 Housing [mm]	公差 Tolerance [mm]	F max. [N] 最大动载荷 Dynamic Load P=2.5MPa	F max. [N] 最大静载荷 Static Load P=17.5MPa	重量 Weight [g]
LIN-01-06	6	12	0/+0.018	200	1400	2
LIN-01-08	8	16	0/+0.018	250	1750	4
LIN-01-10	10	19	0/+0.021	363	2538	7
LIN-01-12	12	22	0/+0.021	480	3360	9
LIN-01-16	16	26	0/+0.021	720	5040	13
LIN-01-20	20	32	0/+0.025	1125	7875	24
LIN-01-25	25	40	0/+0.025	1813	12688	47
LIN-01-30	30	47	0/+0.025	2550	17850	72

LIN-02 压配合全塑料直线轴承 Compact plastic linear bearings



- 高性能EPB25材料制成
- 过盈配合压装
- 适用于污垢或灰尘环境
- 使用温度-60℃/+140℃
- Made from EPB25 high-performance polymers
- Assembly by press fitting
- Unaffected by dirt and dust
- Operation temperature -60℃/+140℃

标准规格 Standard specifications



产品编码 Part No.:

LIN-02-06

轴承内径 Inner diameter

LIN-02 系列直线轴承
LIN-02 standard bearings

座孔 Housing: H7 轴 Shaft: h6-h9

产品编码 Part No.	d ₁ [mm]	d公差 Tolerance [mm]	d ₂ [mm]	B [mm]	f [mm]
LIN-02-06	6	+0.032/+0.070	12	22	1
LIN-02-08	8	+0.032/+0.070	15	24	1
LIN-02-10	10	+0.030/+0.088	17	26	1.5
LIN-02-12	12	+0.030/+0.088	19	28	1.5
LIN-02-16	16	+0.030/+0.088	24	30	1.5
LIN-02-20	20	+0.030/+0.091	28	30	2
LIN-02-25	25	+0.030/+0.091	35	40	2
LIN-02-30	30	+0.040/+0.110	40	50	2.5

产品编码 Part No.	轴径 Shaft [mm]	座孔 Housing H7 [mm]	公差 Tolerance [mm]	F max. [N] 最大动载荷 Dynamic Load P=5MPa	F max. [N] 最大静载荷 Static Load P=35MPa	重量 Weight [g]
LIN-02-06	6	12	0/+0.018	510	3570	1.5
LIN-02-08	8	15	0/+0.018	552	3867	2.8
LIN-02-10	10	17	0/+0.018	663	4641	5
LIN-02-12	12	19	0/+0.021	856	5997	6.5
LIN-02-16	16	24	0/+0.021	1224	8568	9.7
LIN-02-20	20	28	0/+0.021	1530	10710	11.7
LIN-02-25	25	35	0/+0.025	2550	17850	22.8
LIN-02-30	30	40	0/+0.025	3825	26775	34.9

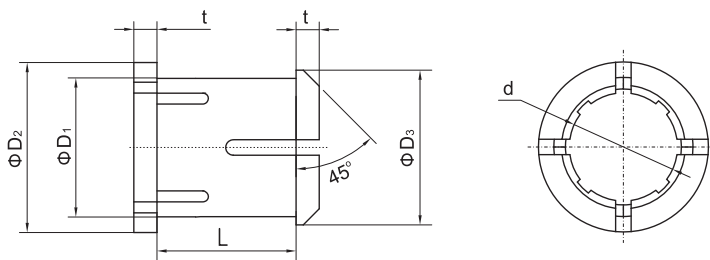
ELB弹性直线轴承 Elastic linear bearings



产品特性 Product features

- 特殊设计直线运动轴承。同样适用于粉尘或经常需要清洗的环境中。安装极为简易，直接通过轴承自身限位固定。轴承的弹性允许安装孔和配合轴尺寸偏差。
- 自润滑，高耐磨
- 高排屑能力，易清洗
- 低摩擦系数
- 低成本，易安装
- Special designed linear bearing. It is suitable for the dusty environment. The mounting of the bearing is simple and easy. No additional location ring is needed. The elastic feature of the bearing can adjust the deviated mounting holes or shaft tolerance.
- Maintenance-free, high wear resistance
- Very suitable for long-time working in dusty
- Low friction coefficient
- Low cost, easy to install

标准规格 Standard specifications

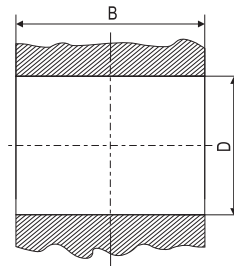


座孔 Housing: H7 轴 Shaft: h6-h9

产品编码 Part No.	d [mm]	d公差 Tolerance [mm]	D ₁ [mm]	L [mm]	D ₂ [mm]	D ₃ [mm]	t [mm]	重量 Weight [g]
ELB-0610-10	6	+0.020/+0.068	10	10	12	11	1.5	0.9
ELB-0610-15	6	+0.020/+0.068	10	15	12	11	1.5	1.2
ELB-0812-10	8	+0.025/+0.083	12	10	14	13	1.5	1.2
ELB-0812-15	8	+0.025/+0.083	12	15	14	13	1.5	1.6
ELB-1014-10	10	+0.025/+0.083	14	10	18	16	2	1.7
ELB-1014-15	10	+0.025/+0.083	14	15	18	16	2	2.1
ELB-1216-15	12	+0.032/+0.102	16	15	20	18	2	2.5
ELB-1216-20	12	+0.032/+0.102	16	20	20	18	2	3.1
ELB-1418-15	14	+0.032/+0.102	18	15	22	20	2	2.8
ELB-1418-18	14	+0.032/+0.102	18	18	22	20	2	3.0

产品编码 Part No.	d [mm]	d公差 Tolerance [mm]	D ₁ [mm]	L [mm]	D ₂ [mm]	D ₃ [mm]	t [mm]	重量 Weight [g]
ELB-1418-20	14	+0.032/+0.102	18	20	22	20	2	3.4
ELB-1519-20	15	+0.032/+0.102	19	20	23	21	2	3.5
ELB-1519-25	15	+0.032/+0.102	19	25	23	21	2	4.1
ELB-1620-20	16	+0.032/+0.102	20	20	24	22	3	4.2
ELB-1620-25	16	+0.032/+0.102	20	25	24	22	3	4.9
ELB-1822-20	18	+0.032/+0.102	22	20	26	24	3	4.8
ELB-1822-25	18	+0.032/+0.102	22	25	26	24	3	5.5
ELB-2024-25	20	+0.040/+0.124	24	25	28	26	3	5.5
ELB-2025-20	20	+0.040/+0.124	25	20	29	27	3	6.5
ELB-2025-30	20	+0.040/+0.124	25	30	29	27	3	8.5
ELB-2529-30	25	+0.040/+0.124	29	30	33	31	3	8.0
ELB-2530-30	25	+0.040/+0.124	30	30	34	32	3	10.8
ELB-2530-40	25	+0.040/+0.124	30	40	34	32	3	13.5
ELB-3034-30	30	+0.040/+0.124	34	30	38	36	3	9.5
ELB-3035-30	30	+0.040/+0.124	35	30	39	37	3	12.8
ELB-3035-40	30	+0.040/+0.124	35	40	39	37	3	15.9

装配尺寸 Installation size



产品编码 Part No.:

ELB-1418-16

轴承长度 Length

轴承外径 Outer diameter

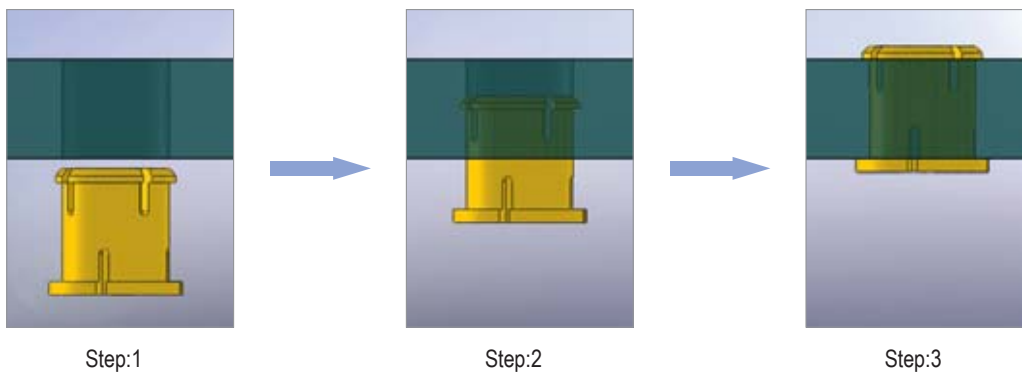
轴承内径 Inner diameter

座孔 Housing: H7 轴 Shaft: h6-h9

产品编码 Part No.	轴径 Shaft h6-h9 [mm]	公差 Tolerance [mm]	D H7 [mm]	公差 Tolerance [mm]	B h10 [mm]	公差 Tolerance [mm]
ELB-0610-10	6	0/-0.030	10	0/+0.015	10	0/-0.058
ELB-0610-15	6	0/-0.030	10	0/+0.015	15	0/-0.058
ELB-0812-10	8	0/-0.036	12	0/+0.018	10	0/-0.070
ELB-0812-15	8	0/-0.036	12	0/+0.018	15	0/-0.070
ELB-1014-10	10	0/-0.036	14	0/+0.018	10	0/-0.070
ELB-1014-15	10	0/-0.036	14	0/+0.018	15	0/-0.070
ELB-1216-15	12	0/-0.043	16	0/+0.018	15	0/-0.070

产品编码 Part No.	轴径 Shaft h6-h9 [mm]	公差 Tolerance [mm]	D H7 [mm]	公差 Tolerance [mm]	B h10 [mm]	公差 Tolerance [mm]
ELB-1216-20	12	0/-0.043	16	0/+0.018	20	0/-0.084
ELB-1418-15	14	0/-0.043	18	0/+0.018	15	0/-0.070
ELB-1418-20	14	0/-0.043	18	0/+0.018	20	0/-0.084
ELB-1418-18	14	0/-0.043	18	0/+0.018	18	0/-0.070
ELB-1519-20	15	0/-0.043	19	0/+0.021	20	0/-0.084
ELB-1519-25	15	0/-0.043	19	0/+0.021	25	0/-0.084
ELB-1620-20	16	0/-0.043	20	0/+0.021	20	0/-0.084
ELB-1620-25	16	0/-0.043	20	0/+0.021	25	0/-0.084
ELB-1822-20	18	0/-0.043	22	0/+0.021	20	0/-0.084
ELB-1822-25	18	0/-0.043	22	0/+0.021	25	0/-0.084
ELB-2024-25	20	0/-0.052	24	0/+0.021	25	0/-0.084
ELB-2025-20	20	0/-0.052	25	0/+0.021	20	0/-0.084
ELB-2025-30	20	0/-0.052	25	0/+0.021	30	0/-0.084
ELB-2529-30	25	0/-0.052	29	0/+0.021	30	0/-0.084
ELB-2530-30	25	0/-0.052	30	0/+0.021	30	0/-0.084
ELB-2530-40	25	0/-0.052	30	0/+0.021	40	0/-0.100
ELB-3034-30	30	0/-0.052	34	0/+0.025	30	0/-0.084
ELB-3035-30	30	0/-0.052	35	0/+0.025	30	0/-0.084
ELB-3035-40	30	0/-0.052	35	0/+0.025	40	0/-0.100

ELB弹性直线轴承安装方式 Elastic linear bearings installation method

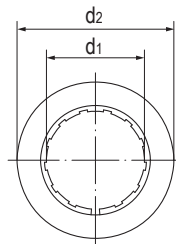
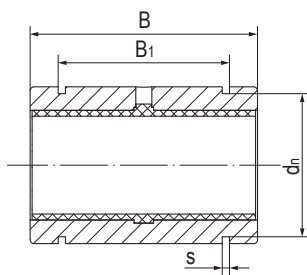


LIN-11R 封闭式直线轴承 Linear bearings, closed



- 封闭式标准长设计
 - 装配LIN-11滑动膜
 - 阳极氧化铝合金适配器
 - 卡簧轴向固定
 - 免维护、低噪音
 - 适用于污垢或灰尘环境
 - 使用温度 -50℃/+90℃
- Closed and long design
 - Assembled LIN-11 liners
 - Anodized aluminum adapter
 - Axial secured by circlips
 - Maintenance-free and low noise
 - Resistance to dirt and dust
 - Operation temperature -50℃/+90℃

标准规格 Standard specifications



产品编码 Part No.:

LIN-11R-10

- 内径 Inner diameter
- 封闭式保持器 Closed housing
- LIN-11标准滑动膜
Standard liners LIN-11

座孔 Housing: H7 轴 Shaft: h6-h9

产品编码 Part No.	d ₁ [mm]	公差 Tolerance [mm]	d ₂ h7 [mm]	B h10 [mm]	B ₁ H10 [mm]	d _i h10 [mm]	s H10 [mm]
LIN-11R-06B	6	+0.020/+0.068	12	22	14.2	11.5	1.1
LIN-11R-08B	8	+0.025/+0.083	16	25	16.2	15.2	1.1
LIN-11R-10	10	+0.030/+0.088	19	29	21.6	17.5	1.3
LIN-11R-12	12	+0.030/+0.088	22	32	22.6	20.5	1.3
LIN-11R-16	16	+0.030/+0.088	26	36	24.6	24.2	1.3
LIN-11R-20	20	+0.030/+0.091	32	45	31.2	29.6	1.6
LIN-11R-25	25	+0.030/+0.091	40	58	43.7	36.5	1.85
LIN-11R-30	30	+0.040/+0.110	47	68	51.7	43.5	1.85
LIN-11R-40	40	+0.040/+0.115	62	80	60.3	57.8	2.15
LIN-11R-50	50	+0.050/+0.130	75	100	77.3	70.5	2.65

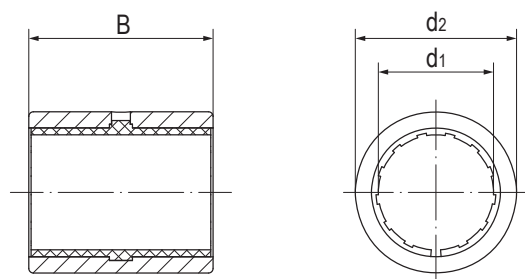
产品编码 Part No.	轴径 Shaft [mm]	座孔 Housing [mm] H7	公差 Tolerance [mm]	F max. [N] 最大动载荷 Dynamic Load P=5MPa	F max. [N] 最大静载荷 Static Load P=35MPa	重量 Weight [g]
LIN-11R-06B	6	12	0/+0.018	525	3675	5
LIN-11R-08B	8	16	0/+0.018	960	6720	9
LIN-11R-10	10	19	0/+0.021	725	5075	12
LIN-11R-12	12	22	0/+0.021	960	6720	20
LIN-11R-16	16	26	0/+0.021	1440	10080	28
LIN-11R-20	20	32	0/+0.025	2250	15750	50
LIN-11R-25	25	40	0/+0.025	3625	25375	104
LIN-11R-30	30	47	0/+0.025	5100	35700	163
LIN-11R-40	40	62	0/+0.030	8000	56000	341
LIN-11R-50	50	75	0/+0.030	9000	87500	589

LIN-12R 短型直线轴承 Linear bearings, closed, short design



- 封闭式短型设计
 - 装配LIN-12滑动膜
 - 阳极氧化铝合金适配器
 - 过盈配合压装
 - 免维护、低噪音
 - 适用于污垢或灰尘环境
 - 使用温度-50℃/+90℃
- Closed and short design
 - Assembled LIN-12 liners
 - Anodized aluminum adapter
 - Assembly by press fitting
 - Maintenance-free and low noise
 - Resistance to dirt and dust
 - Operation temperature -50℃/+90℃

标准规格 Standard specifications



产品编码 Part No.:

LIN-12R-10

- 内径 Inner diameter
- 封闭式保持器 Closed housing
- LIN-12标准滑动膜 Standard liners LIN-12

座孔 Housing: H7 轴 Shaft: h6-h9

产品编码 Part No.	d ₁ [mm]	公差 Tolerance [mm]	d ₂ h7 [mm]	B h10 [mm]
LIN-12R-06B	6	+0.020/+0.068	12	22
LIN-12R-08B	8	+0.025/+0.083	15	24
LIN-12R-10	10	+0.030/+0.088	17	26
LIN-12R-12	12	+0.030/+0.088	19	28
LIN-12R-16	16	+0.030/+0.088	24	30
LIN-12R-20	20	+0.030/+0.091	28	30
LIN-12R-25	25	+0.030/+0.091	35	40
LIN-12R-30	30	+0.040/+0.110	40	50
LIN-12R-40	40	+0.040/+0.115	52	60
LIN-12R-50	50	+0.050/+0.130	62	70

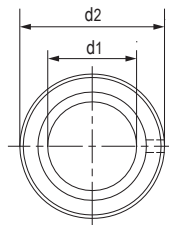
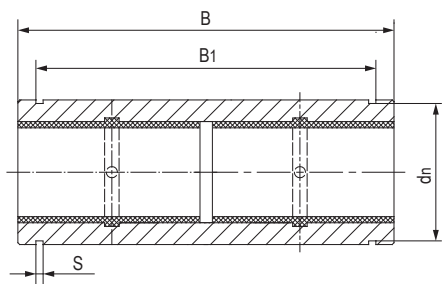
产品编码 Part No.	轴径 Shaft [mm]	座孔 Housing [mm] H7	公差 Tolerance [mm]	F max. [N] 最大动载荷 Dynamic Load P=5MPa	F max. [N] 最大静载荷 Static Load P=35MPa	重量 Weight [g]
LIN-12R-06B	6	12	0/+0.018	600	4200	4
LIN-12R-08B	8	15	0/+0.018	650	4550	6
LIN-12R-10	10	17	0/+0.018	650	4550	9
LIN-12R-12	12	19	0/+0.021	840	5880	11
LIN-12R-16	16	24	0/+0.021	1200	8400	17
LIN-12R-20	20	28	0/+0.021	1500	10500	18
LIN-12R-25	25	35	0/+0.025	2500	17500	41
LIN-12R-30	30	40	0/+0.025	3750	26250	56
LIN-12R-40	40	52	0/+0.030	6000	42000	113
LIN-12R-50	50	62	0/+0.030	8750	61250	152

LIN-12RL 加长型塑料直线轴承 Long design plastic linear bearings



- 封闭式加长设计
 - 装配2个LIN-12滑动膜
 - 阳极氧化铝合金适配器
 - 卡簧轴向固定
 - 免维护、低噪音
 - 适用于污垢或灰尘环境
 - 使用温度 -50℃/+90℃
- Closed design and increased the guide length
 - Assembled 2pcs liners LIN-12
 - Anodized aluminum adapter
 - Axial secured by circlips
 - Maintenance-free and low noise
 - Resistance to dirt and dust
 - Operation temperature -50℃/+90℃

标准规格 Standard specifications



产品编码 Part No.:

LIN-12RL-10

轴承内径 Inner diameter

加长型设计保持器 Long design housing

 LIN-12标准滑动膜
Standard liners LIN-12

座孔 Housing: H7 轴 Shaft: h6-h9

产品编码 Part No.	d ₁ [mm]	公差 Tolerance [mm]	d ₂ [mm]	d _n [mm]	B [mm]	B ₁ [mm]	S [mm]
LIN-12RL-10	10	+0.03/+0.088	19	17.5	55	44	1.3
LIN-12RL-12	12	+0.03/+0.088	22	20.5	57	46	1.3
LIN-12RL-16	16	+0.03/+0.088	26	24.2	70	53	1.6
LIN-12RL-20	20	+0.03/+0.091	32	29.6	80	61	1.6
LIN-12RL-25	25	+0.03/+0.091	40	36.5	112	82	1.85
LIN-12RL-30	30	+0.03/+0.110	47	43.5	123	89	1.85

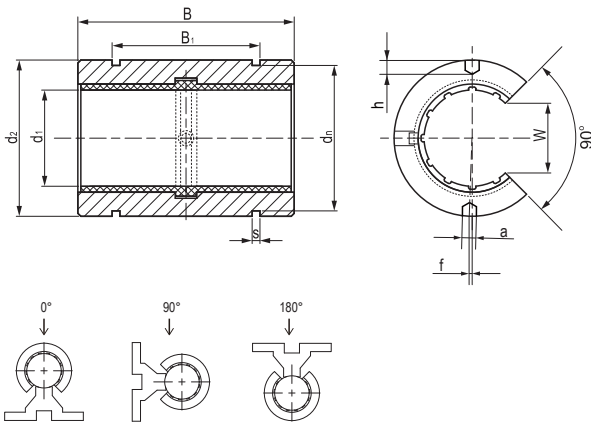
产品编码 Part No.	轴径 Shaft [mm]	座孔 Housing [mm] H7	公差 Tolerance [mm]	F max. [N] 最大动载荷 Dynamic Load P=5MPa	F max. [N] 最大静载荷 Static Load P=35MPa	重量 Weight [g]
LIN-12RL-10	10	19	0/+0.021	1300	9100	26
LIN-12RL-12	12	22	0/+0.021	1680	11600	33
LIN-12RL-16	16	26	0/+0.021	2400	16800	50
LIN-12RL-20	20	32	0/+0.025	3000	21000	80
LIN-12RL-25	25	40	0/+0.025	5000	35000	189
LIN-12RL-30	30	47	0/+0.025	7500	52500	269

LIN-11RK 开口式直线轴承 Linear bearings, open



- 开口设计，配合支持轴
 - 装配LIN-11K滑动膜
 - 阳极氧化铝合金适配器
 - 免维护、低噪音
 - 适用于污垢或灰尘环境
 - 使用温度-50℃/+90℃
- Open design for supported shafts
 - Assembled LIN-11K liners
 - Anodized aluminum adapter
 - Maintenance-free and low noise
 - Resistance to dirt and dust
 - Operation temperature -50℃/+90℃

标准规格 Standard specifications



产品编码 Part No.:

LIN-11RK-10

- 内径 Inner diameter
- 开口式保持器
Open, aluminum adapter
- LIN-11K标准滑动膜
Standard liners LIN-11K

座孔 Housing: H7 轴 Shaft: h6-h9

产品编码 Part No.	d ₁ [mm]	公差 Tolerance [mm]	d ₂ h7 [mm]	B h10 [mm]	B ₁ H10 [mm]	W-1 [mm]	s H10 [mm]	d ₁ h10 [mm]	a+0.1 [mm]	h [mm]	f ± 0.2 [mm]
LIN-11RK-10	10	+0.030/+0.088	19	29	21.6	7.3	1.30	17.5	/	/	/
LIN-11RK-12	12	+0.030/+0.088	22	32	22.6	9.0	1.30	20.5	3.0	1.2	1.33(7°)
LIN-11RK-16	16	+0.030/+0.088	26	36	24.6	11.6	1.30	24.2	2.2	1.2	/
LIN-11RK-20	20	+0.030/+0.091	32	45	31.2	12.0	1.60	29.6	2.2	1.2	/
LIN-11RK-25	25	+0.030/+0.091	40	58	43.7	14.5	1.85	36.5	3.0	1.5	-1.50(-4.3°)
LIN-11RK-30	30	+0.040/+0.110	47	68	51.7	16.6	1.85	43.5	3.0	2.0	2.00(4.9°)
LIN-11RK-40	40	+0.040/+0.115	62	80	60.3	21.0	2.15	57.8	3.0	2.0	1.50(2.8°)
LIN-11RK-50	50	+0.050/+0.130	75	100	77.3	25.5	2.65	70.5	3.0	2.0	2.50(3.8°)

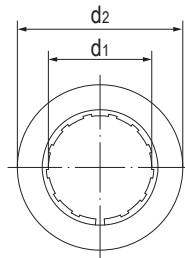
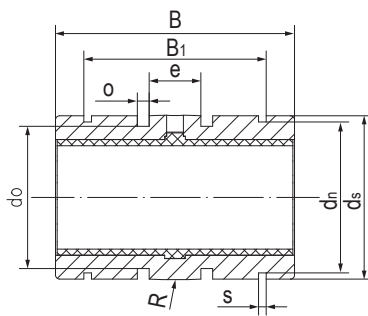
产品编码 Part No.	轴径 Shaft [mm]	座孔 Housing [mm] H7	公差 Tolerance [mm]	F max. [N] 最大动载荷 Dynamic Load P=5MPa			F max. [N] 最大静载荷 Static Load P=35MPa			重量 Weight [g]
				0°	90°	180°	0°	90°	180°	
LIN-11RK-10	10	19	0/+0.021	725	500	196	5075	3500	1370	9
LIN-11RK-12	12	22	0/+0.021	960	635	240	6720	4445	1680	15
LIN-11RK-16	16	26	0/+0.021	1440	990	396	10080	6943	2772	21
LIN-11RK-20	20	32	0/+0.025	2250	1800	900	15750	12600	6300	37
LIN-11RK-25	25	40	0/+0.025	3625	2953	1523	25375	20670	10658	78
LIN-11RK-30	30	47	0/+0.025	5100	4250	2278	35700	29735	15948	122
LIN-11RK-40	40	62	0/+0.030	8000	6810	3800	56000	47660	26600	256
LIN-11RK-50	50	75	0/+0.030	12500	10750	6125	87500	75265	42875	442

LIN-11RS 调心直线轴承 Floating linear bearings, closed



- 封闭式自动调心设计
 - 装配LIN-11滑动膜
 - 阳极氧化铝合金适配器
 - 卡簧轴向固定
 - 免维护、低噪音
 - 适用于污垢或灰尘环境
 - 使用温度-50℃/+90℃
- Closed and self-aligning design
 - Assembled LIN-11 liners
 - Anodized aluminum adapter
 - Axial secured by circlips
 - Maintenance-free and low noise
 - Resistance to dirt and dust
 - Operation temperature -50℃/+90℃

标准规格 Standard specifications



产品编码 Part No.:

LIN-11RS-10

- 内径 Inner diameter
- 自调整保持器
Automatic alignment aluminum adapter
- LIN-11标准滑动膜
Standard liners LIN-11

座孔 Housing: H7 轴 Shaft: h6-h9

产品编码 Part No.	d ₁ [mm]	公差 Tolerance [mm]	d ₂ h8 [mm]	B h10 [mm]	B ₁ H10 [mm]	s H10 [mm]	d _n h10 [mm]	d _s h10 [mm]	d ₀ h10 [mm]	o _{±0.1} [mm]	e [mm]	R [mm]
LIN-11RS-10	10	+0.030/+0.088	18.8	28.9	21.8	1.30	17.5	18.5	15.4	1.86	5.0	13.0
LIN-11RS-12	12	+0.030/+0.088	21.8	31.9	22.8	1.30	20.5	21.5	18.4	1.86	6.0	18.0
LIN-11RS-16	16	+0.030/+0.088	25.8	35.9	24.9	1.30	24.2	25.5	20.7	2.86	8.0	32.0
LIN-11RS-20	20	+0.030/+0.091	31.8	44.8	31.5	1.60	29.6	31.5	26.7	2.86	10.0	50.0
LIN-11RS-25	25	+0.030/+0.091	39.8	57.8	44.1	1.85	36.5	39.5	34.7	2.86	12.5	39.0
LIN-11RS-30	30	+0.040/+0.110	46.7	67.8	52.1	1.85	43.5	46.0	41.7	2.86	15.0	57.0
LIN-11RS-40	40	+0.040/+0.115	61.7	79.8	60.9	2.15	57.8	61.0	56.7	2.86	20.0	100.0
LIN-11RS-50	50	+0.050/+0.130	74.7	99.8	78.0	2.65	70.5	74.0	69.7	2.86	25.0	157.0

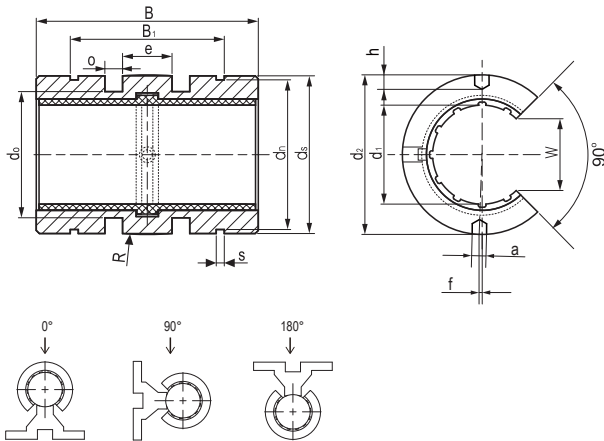
产品编码 Part No.	轴径 Shaft [mm]	座孔 Housing H7 [mm]	公差 Tolerance [mm]	F max. [N] 最大动载荷 Dynamic Load P=5MPa	F max. [N] 最大静载荷 Static Load P=35MPa	重量 Weight [g]
LIN-11RS-10	10	19	0/+0.021	725	5075	12
LIN-11RS-12	12	22	0/+0.021	960	6720	18
LIN-11RS-16	16	26	0/+0.021	1440	10080	23
LIN-11RS-20	20	32	0/+0.025	2250	15750	43
LIN-11RS-25	25	40	0/+0.025	3625	25375	95
LIN-11RS-30	30	47	0/+0.025	5100	35700	145
LIN-11RS-40	40	62	0/+0.030	8000	56000	316
LIN-11RS-50	50	75	0/+0.030	9000	87500	550

LIN-11RSK 调心直线轴承 Floating linear bearings, open



- 开口式自动调心设计
- 装配LIN-11K滑动膜
- 阳极氧化铝合金适配器
- 免维护、低噪音
- 适用于污垢或灰尘环境
- 使用温度-50℃/+90℃
- Open and self-aligning design
- Assembled LIN-11K liners
- Anodized aluminum adapter
- Maintenance-free and low noise
- Resistance to dirt and dust
- Operation temperature -50℃/+90℃

标准规格 Standard specifications



产品编码 Part No.:

LIN-11RSK-10

内径 Inner diameter

开口式自调整保持器
Open, automatic alignment aluminum adapter

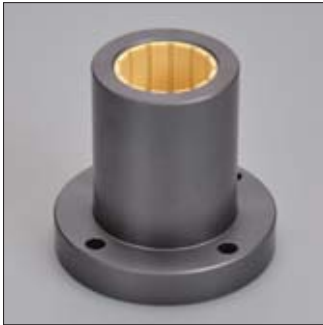
LIN-11K标准滑动膜
Standard liners LIN-11K

座孔 Housing: H7 轴 Shaft: h6-h9

产品编码 Part No.	d ₁ [mm]	公差 Tolerance [mm]	d ₂ h7 [mm]	d ₃ h10 [mm]	e [mm]	o+0.1 [mm]	d ₉ h10 [mm]	B ₁ H10 [mm]	s H10 [mm]	B h10 [mm]	R [mm]	W-1 [mm]	a+0.1 [mm]	h [mm]	f ± 0.2 [mm]
LIN-11RSK-10	10	+0.030/+0.088	18.8	18.5	5.0	1.86	15.4	21.8	1.30	28.9	13.0	7.3	/	/	/
LIN-11RSK-12	12	+0.030/+0.088	21.8	21.8	6.0	1.86	18.4	22.8	1.30	31.9	18.0	9.0	3.0	1.2	1.33(7°)
LIN-11RSK-16	16	+0.030/+0.088	25.8	25.5	8.0	2.86	20.7	24.9	1.30	35.9	32.0	11.6	2.2	1.2	/
LIN-11RSK-20	20	+0.030/+0.091	31.8	31.5	10.0	2.86	26.7	31.5	1.60	44.8	50.0	12.0	2.2	1.2	/
LIN-11RSK-25	25	+0.030/+0.091	39.8	39.0	12.5	2.86	34.7	44.1	1.85	57.8	39.0	14.5	3.0	1.5	-1.50(-4.3°)
LIN-11RSK-30	30	+0.040/+0.110	46.7	46.0	15.0	2.86	41.7	52.1	1.85	67.8	57.0	16.6	3.0	2.0	2.00(4.9°)
LIN-11RSK-40	40	+0.040/+0.115	61.7	61.0	20.0	2.86	56.7	60.9	2.15	79.8	100.0	21.0	3.0	2.0	1.50(2.8°)
LIN-11RSK-50	50	+0.050/+0.130	74.7	74.0	25.0	2.86	69.7	78.0	2.65	99.8	157.0	25.5	3.0	2.0	2.50(3.8°)

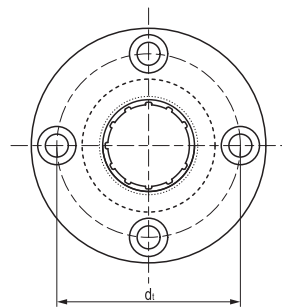
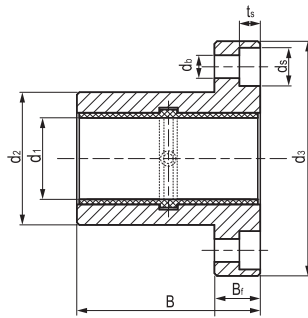
产品编码 Part No.	轴径 Shaft [mm]	座孔 Housing [mm] H7	公差 Tolerance [mm]	F max. [N] 最大动载荷 Dynamic Load P=5MPa			F max. [N] 最大静载荷 Static Load P=35MPa			重量 Weight [g]
				0°	90°	180°	0°	90°	180°	
LIN-11RSK-10	10	19	0/+0.021	725	500	196	5075	3500	1370	9
LIN-11RSK-12	12	22	0/+0.021	960	635	240	6720	4445	1680	14
LIN-11RSK-16	16	26	0/+0.021	1440	990	396	10080	6943	2772	18
LIN-11RSK-20	20	32	0/+0.025	2250	1800	900	15750	12600	6300	32
LIN-11RSK-25	25	40	0/+0.025	3625	2953	1523	25375	20670	10658	71
LIN-11RSK-30	30	47	0/+0.025	5100	4250	2278	35700	29735	15948	109
LIN-11RSK-40	40	62	0/+0.030	8000	6810	3800	56000	47660	26600	237
LIN-11RSK-50	50	75	0/+0.030	12500	10750	6125	87500	75265	42875	386

LIN-11RF 圆法兰直线轴承 Round flange linear bearings



- 封闭式圆法兰设计
 - 装配LIN-11滑动膜
 - 阳极氧化铝合金适配器
 - 螺栓固定
 - 免维护、低噪音
 - 适用于污垢或灰尘环境
 - 使用温度 -50℃/+90℃
- Closed design with round flange
 - Assembled LIN-11 liners
 - Anodized aluminum adapter
 - Secured by bolts
 - Maintenance-free and low noise
 - Resistance to dirt and dust
 - Operation temperature -50℃/+90℃

标准规格 Standard specifications



产品编码 Part No.:

LIN-11RF-10

- 内径 Inner diameter
- 圆法兰保持器 Round flange aluminum adapter
- LIN-11标准滑动膜 Standard liners LIN-11

座孔 Housing: H7 轴 Shaft: h6-h9

产品编码 Part No.	d ₁ [mm]	公差 Tolerance [mm]	d ₂ h7 [mm]	d ₁ [mm]	d ₃ [mm]	B [mm]	B _r [mm]	t _s [mm]	d ₅ [mm]	d ₆ [mm]
LIN-11RF-06B	6	+0.020/+0.068	12	21	29	22	8	3.1	3.5	6
LIN-11RF-08B	8	+0.025/+0.083	16	24	32	25	8	3.1	3.5	6
LIN-11RF-10	10	+0.030/+0.088	19	29	39	29	9	4.1	4.5	7.5
LIN-11RF-12	12	+0.030/+0.088	22	32	42	32	9	4.1	4.5	7.5
LIN-11RF-16	16	+0.030/+0.088	26	36	46	36	9	4.1	4.5	7.5
LIN-11RF-20	20	+0.030/+0.091	32	43	54	45	11	5.1	5.5	9.0
LIN-11RF-25	25	+0.030/+0.091	40	51	62	58	11	5.1	5.5	9.0
LIN-11RF-30	30	+0.040/+0.110	47	62	76	68	14	6.1	6.6	11.0
LIN-11RF-40	40	+0.040/+0.115	62	80	98	80	18	8.1	9.0	14.0
LIN-11RF-50	50	+0.050/+0.130	75	94	112	100	18	8.1	9.0	14.0

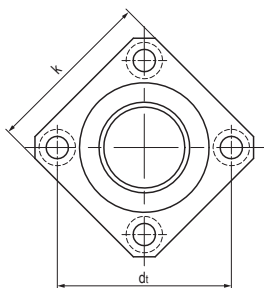
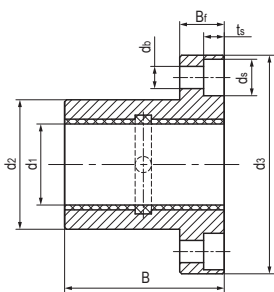
产品编码 Part No.	轴径 Shaft [mm]	座孔 Housing H7 [mm]	公差 Tolerance [mm]	F max. [N] 最大动载荷 Dynamic Load P=5MPa	F max. [N] 最大静载荷 Static Load P=35MPa	重量 Weight [g]
LIN-11RF-06B	6	12	0/+0.018	525	3675	15
LIN-11RF-08B	8	16	0/+0.018	960	6720	20
LIN-11RF-10	10	19	0/+0.021	725	5075	34
LIN-11RF-12	12	22	0/+0.021	960	6720	43
LIN-11RF-16	16	26	0/+0.021	1440	10080	54
LIN-11RF-20	20	32	0/+0.025	2250	15750	91
LIN-11RF-25	25	40	0/+0.025	3625	25375	154
LIN-11RF-30	30	47	0/+0.025	5100	35700	266
LIN-11RF-40	40	62	0/+0.030	8000	56000	555
LIN-11RF-50	50	75	0/+0.030	9000	87500	852

LIN-11RT 方法兰塑料直线轴承 Angular flang linear bearings



- 封闭式方法兰设计
 - 装配LIN-11滑动膜
 - 阳极氧化铝合金适配器
 - 螺栓固定
 - 免维护、低噪音
 - 适用于污垢或灰尘环境
 - 使用温度-50℃/+90℃
- Closed design with square flange
 - Assembled LIN-11 liners
 - Anodized aluminum adapter
 - Secured by bolts
 - Maintenance-free and low noise
 - Resistance to dirt and dust
 - Operation temperature -50℃/+90℃

标准规格 Standard specifications



产品编码 Part No.:

LIN-11RT-10

- 内径 Inner diameter
- 方法兰保持器 Angular flange aluminum adapter
- LIN-11标准滑动膜 Standard liners LIN-11

座孔 Housing: H7 轴 Shaft: h6-h9

产品编码 Part No.	d ₁ [mm]	公差 Tolerance [mm]	d ₂ h7 [mm]	d ₃ [mm]	d _i [mm]	k [mm]	B [mm]	B ₁ [mm]	t _s [mm]	d _b [mm]	d _s [mm]
LIN-11RT-06B	6	+0.020/+0.068	12	29	21	23	22	8	3.1	3.5	6
LIN-11RT-08B	8	+0.025/+0.083	16	32	24	25	25	8	3.1	3.5	6
LIN-11RT-10	10	+0.030/+0.088	19	39	29	30	29	9	4.1	4.5	7.5
LIN-11RT-12	12	+0.030/+0.088	22	42	32	32	32	9	4.1	4.5	7.5
LIN-11RT-16	16	+0.030/+0.088	26	46	36	35	36	9	4.1	4.5	7.5
LIN-11RT-20	20	+0.030/+0.091	32	54	43	42	45	11	5.1	5.5	9
LIN-11RT-25	25	+0.030/+0.091	40	62	51	50	58	11	5.1	5.5	9
LIN-11RT-30	30	+0.040/+0.110	47	76	62	60	68	14	6.1	6.6	11
LIN-11RT-40	40	+0.040/+0.115	62	98	80	75	80	18	8.1	9	14
LIN-11RT-50	50	+0.050/+0.130	75	112	94	88	100	18	8.1	9	14

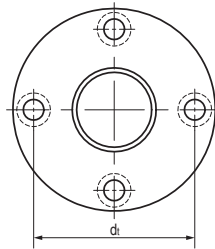
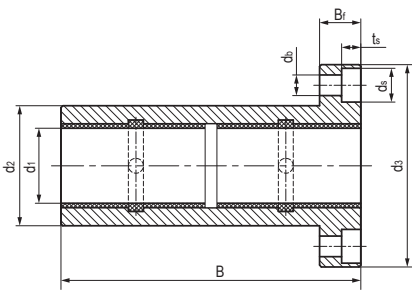
产品编码 Part No.	轴径 Shaft [mm]	座孔 Housing H7 [mm]	公差 Tolerance [mm]	F max. [N] 最大动载荷 Dynamic Load P=5MPa	F max. [N] 最大静载荷 Static Load P=35MPa	重量 Weight [g]
LIN-11RT-06B	6	12	0/+0.018	525	3675	15
LIN-11RT-08B	8	16	0/+0.018	960	6720	20
LIN-11RT-10	10	19	0/+0.021	725	5075	34
LIN-11RT-12	12	22	0/+0.021	960	6720	43
LIN-11RT-16	16	26	0/+0.021	1440	10080	54
LIN-11RT-20	20	32	0/+0.025	2250	15750	91
LIN-11RT-25	25	40	0/+0.025	3625	25375	154
LIN-11RT-30	30	47	0/+0.025	5100	35700	266
LIN-11RT-40	40	62	0/+0.030	8000	56000	555
LIN-11RT-50	50	75	0/+0.030	9000	87500	852

LIN-12RFL 加长型圆法兰塑料直线轴承 Round flange linear bearings(long design)



- 封闭式圆法兰加长设计
 - 装配2个LIN-12滑动膜
 - 阳极氧化铝合金适配器
 - 螺栓固定
 - 免维护、低噪音
 - 适用于污垢或灰尘环境
 - 使用温度-50℃/+90℃
- Closed design with round flange
 - Assembled 2pcs liners LIN-12
 - Anodized aluminum adapter
 - Secured by bolts
 - Maintenance-free and low noise
 - Resistance to dirt and dust
 - Operation temperature -50℃/+90℃

标准规格 Standard specifications



产品编码 Part No.:

LIN-12RFL-10

内径 Inner diameter

圆法兰加长型保持器
Round flange aluminum adapter (long design)

LIN-12标准滑动膜
Standard liners LIN-12

座孔 Housing: H7 轴 Shaft: h6-h9

产品编码 Part No.	d ₁ [mm]	公差 Tolerance [mm]	d ₂ h7 [mm]	d ₃ [mm]	d ₄ [mm]	B [mm]	B ₁ [mm]	t _s [mm]	d ₅ [mm]	d _s [mm]
LIN-12RFL-10	10	+0.030/+0.088	19	39	29	52	9	4.1	4.5	7.5
LIN-12RFL-12	12	+0.030/+0.088	22	42	32	57	9	4.1	4.5	7.5
LIN-12RFL-16	16	+0.030/+0.088	26	46	36	70	9	4.1	4.5	7.5
LIN-12RFL-20	20	+0.030/+0.091	32	54	43	80	11	5.1	5.5	9
LIN-12RFL-25	25	+0.030/+0.091	40	62	51	112	11	5.1	5.5	9
LIN-12RFL-30	30	+0.030/+0.110	47	76	62	123	14	6.1	6.6	11
LIN-12RFL-40	40	+0.030/+0.115	62	98	80	151	18	8.1	9	14
LIN-12RFL-50	50	+0.030/+0.130	75	112	94	192	18	8.1	9	14

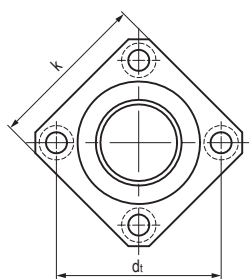
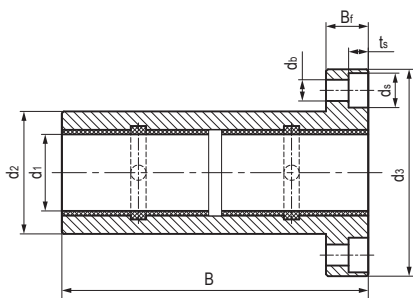
产品编码 Part No.	轴径 Shaft [mm]	座孔 Housing h7 [mm]	公差 Tolerance [mm]	F max. [N] 最大动载荷 Dynamic Load P=5MPa	F max. [N] 最大静载荷 Static Load P=35MPa	重量 Weight [g]
LIN-12RFL-10	10	19	0/+0.021	1300	9100	44
LIN-12RFL-12	12	22	0/+0.021	1680	11760	57
LIN-12RFL-16	16	26	0/+0.021	2400	16800	79
LIN-12RFL-20	20	32	0/+0.025	3000	21000	126
LIN-12RFL-25	25	40	0/+0.025	5000	35000	249
LIN-12RFL-30	30	47	0/+0.025	7500	52500	388
LIN-12RFL-40	40	62	0/+0.030	12000	84000	835
LIN-12RFL-50	50	75	0/+0.030	17500	122500	1352

LIN-12RTL加长型方法兰塑料直线轴承 Angular flang linear bearings(long design)



- 封闭式方法兰加长设计
 - 装配2个LIN-12滑动膜
 - 阳极氧化铝合金适配器
 - 螺栓固定
 - 免维护、低噪音
 - 适用于污垢或灰尘环境
 - 使用温度 -50℃/+90℃
- Closed design with square flange
 - Assembled 2pcs liners LIN-12
 - Anodized aluminum adapter
 - Secured by bolts
 - Maintenance-free and low noise
 - Resistance to dirt and dust
 - Operation temperature -50℃/+90℃

标准规格 Standard specifications



产品编码 Part No.:

LIN-12RTL-10

内径 Inner diameter

方法兰加长型保持器
Angular flang aluminum adapter (long design)

LIN-12标准滑动膜
Standard liners LIN-12

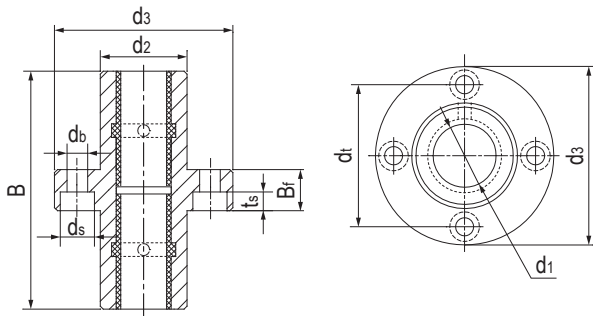
座孔 Housing: H7 轴 Shaft: h6-h9

产品编码 Part No.	d ₁ [mm]	公差 Tolerance [mm]	d ₂ h7 [mm]	d ₃ [mm]	d ₄ [mm]	k [mm]	B [mm]	B _f [mm]	t _s [mm]	d ₅ [mm]	d ₆ [mm]
LIN-12RTL-10	10	+0.030/+0.088	19	39	29	30	52	9	4.1	4.5	7.5
LIN-12RTL-12	12	+0.030/+0.088	22	42	32	32	57	9	4.1	4.5	7.5
LIN-12RTL-16	16	+0.030/+0.088	26	46	36	35	70	9	4.1	4.5	7.5
LIN-12RTL-20	20	+0.030/+0.091	32	54	43	42	80	11	5.1	5.5	9
LIN-12RTL-25	25	+0.030/+0.091	40	62	51	50	112	11	5.1	5.5	9
LIN-12RTL-30	30	+0.030/+0.110	47	76	62	60	123	14	6.1	6.6	11
LIN-12RTL-40	40	+0.030/+0.115	62	98	80	75	151	18	8.1	9	14
LIN-12RTL-50	50	+0.030/+0.130	75	112	94	88	192	18	8.1	9	14

产品编码 Part No.	轴径 Shaft [mm]	座孔 Housing h7 [mm]	公差 Tolerance [mm]	F max. [N] 最大动载荷 Dynamic Load P=5MPa	F max. [N] 最大静载荷 Static Load P=35MPa	重量 Weight [g]
LIN-12RTL-10	10	19	0/+0.021	1300	9100	44
LIN-12RTL-12	12	22	0/+0.021	1680	11760	57
LIN-12RTL-16	16	26	0/+0.021	2400	16800	79
LIN-12RTL-20	20	32	0/+0.025	3000	21000	126
LIN-12RTL-25	25	40	0/+0.025	5000	35000	249
LIN-12RTL-30	30	47	0/+0.025	7500	52500	388
LIN-12RTL-40	40	62	0/+0.030	12000	84000	835
LIN-12RTL-50	50	75	0/+0.030	17500	122500	1352

LIN-12RFM 加长型中圆法兰塑料直线轴承 Round middle flange linear bearings(long design)


- 封闭式、中间圆法兰加长设计
- 装配2个LIN-12滑动膜
- 阳极氧化铝合金适配器
- 螺栓固定
- 免维护、低噪音
- 适用于污垢或灰尘环境
- 使用温度-50℃/+90℃
- Closed design with round flange in the middle
- Assembled 2pcs liners LIN-12
- Anodized aluminum adapter
- Secured by bolts
- Maintenance-free and low noise
- Resistance to dirt and dust
- Operation temperature -50℃/+90℃

标准规格 Standard specifications


产品编码 Part No.:

LIN-12RFM-10

- 轴承内径 Inner Diameter
- 中圆法兰加长型保持器 Middle round flange aluminum adapter(long design)
- LIN-12标准滑动膜 Standard liners LIN-12

座孔 Housing: H7 轴 Shaft: h6-h9

产品编码 Part No.	d ₁ [mm]	公差 Tolerance [mm]	d ₂ h7 [mm]	d ₃ [mm]	d _i [mm]	B [mm]	B _f [mm]	t _s [mm]	d _b [mm]	d _s [mm]
LIN-12RFM-10	10	+0.030/+0.088	19	39	29	52	9	4.1	4.5	7.5
LIN-12RFM-12	12	+0.030/+0.088	22	42	32	57	9	4.1	4.5	7.5
LIN-12RFM-16	16	+0.030/+0.088	26	46	36	70	9	4.1	4.5	7.5
LIN-12RFM-20	20	+0.030/+0.091	32	54	43	80	11	5.1	5.5	9
LIN-12RFM-25	25	+0.030/+0.091	40	62	51	112	11	5.1	5.5	9
LIN-12RFM-30	30	+0.030/+0.110	47	76	62	123	14	6.1	6.6	11
LIN-12RFM-40	40	+0.030/+0.115	62	98	80	151	18	8.1	9	14
LIN-12RFM-50	50	+0.030/+0.130	75	112	94	192	18	8.1	9	14

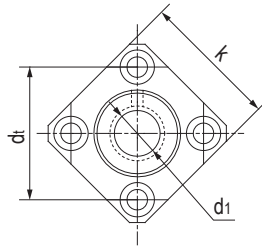
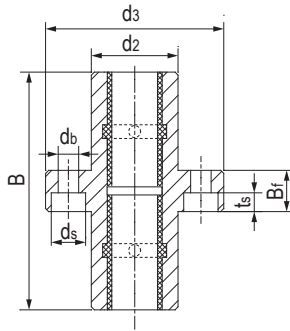
产品编码 Part No.	轴径 Shaft [mm]	座孔 Housing H7 [mm]	公差 Tolerance [mm]	F max. [N] 最大动载荷 Dynamic Load P=5MPa	F max. [N] 最大静载荷 Static Load P=35MPa	重量 Weight [g]
LIN-12RFM-10	10	19	0/+0.021	1300	9100	44
LIN-12RFM-12	12	22	0/+0.021	1680	11760	57
LIN-12RFM-16	16	26	0/+0.021	2400	16800	79
LIN-12RFM-20	20	32	0/+0.025	3000	21000	126
LIN-12RFM-25	25	40	0/+0.025	5000	35000	249
LIN-12RFM-30	30	47	0/+0.025	7500	52500	388
LIN-12RFM-40	40	62	0/+0.030	12000	84000	835
LIN-12RFM-50	50	75	0/+0.030	17500	122500	1352

LIN-12RTM 加长型方圆法兰塑料直线轴承 Angular flange linear bearings(long design)



- 封闭式、中间方法兰加长设计
- 装配2个LIN-12滑动膜
- 阳极氧化铝合金适配器
- 螺栓固定
- 免维护、低噪音
- 适用于污垢或灰尘环境
- 使用温度-50℃/+90℃
- Closed design with square flange in the middle
- Assembled 2pcs liners LIN-12
- Anodized aluminum adapter
- Secured by bolts
- Maintenance-free and low noise
- Resistance to dirt and dust
- Operation temperature -50℃/+90℃

标准规格 Standard specifications



产品编码 Part No.:

LIN-12RTM-10

轴承内径 Inner Diameter

中方法兰加长型保持器
Middle angular flange aluminum adapter (long design)

LIN-12标准滑动膜
Standard liners LIN-12

座孔 Housing: H7 轴 Shaft: h6-h9

产品编码 Part No.	d ₁ [mm]	公差 Tolerance [mm]	d ₂ h7 [mm]	d ₃ [mm]	d ₄ [mm]	k [mm]	B [mm]	B ₁ [mm]	t _s [mm]	d _b [mm]	d _s [mm]
LIN-12RTM-10	10	+0.030/+0.088	19	39	29	30	52	9	4.1	4.5	7.5
LIN-12RTM-12	12	+0.030/+0.088	22	42	32	32	57	9	4.1	4.5	7.5
LIN-12RTM-16	16	+0.030/+0.088	26	46	36	35	70	9	4.1	4.5	7.5
LIN-12RTM-20	20	+0.030/+0.091	32	54	43	42	80	11	5.1	5.5	9
LIN-12RTM-25	25	+0.030/+0.091	40	62	51	50	112	11	5.1	5.5	9
LIN-12RTM-30	30	+0.030/+0.110	47	76	62	60	123	14	6.1	6.6	11
LIN-12RTM-40	40	+0.030/+0.115	62	98	80	75	151	18	8.1	9	14
LIN-12RTM-50	50	+0.030/+0.130	75	112	94	88	192	18	8.1	9	14

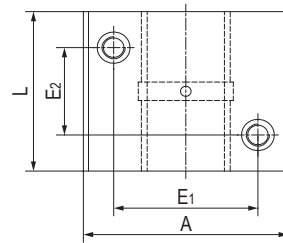
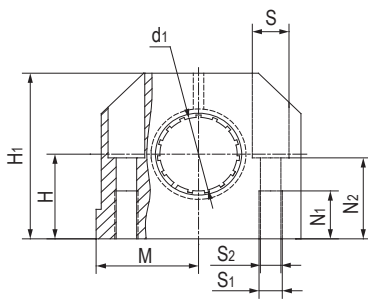
产品编码 Part No.	轴径 Shaft [mm]	座孔 Housing H7 [mm]	公差 Tolerance [mm]	F max. [N] 最大动载荷 Dynamic Load P=5MPa	F max. [N] 最大静载荷 Static Load P=35MPa	重量 Weight [g]
LIN-12RTM-10	10	19	0/+0.021	1300	9100	44
LIN-12RTM-12	12	22	0/+0.021	1680	11760	57
LIN-12RTM-16	16	26	0/+0.021	2400	16800	79
LIN-12RTM-20	20	32	0/+0.025	3000	21000	126
LIN-12RTM-25	25	40	0/+0.025	5000	35000	249
LIN-12RTM-30	30	47	0/+0.025	7500	52500	388
LIN-12RTM-40	40	62	0/+0.030	12000	84000	835
LIN-12RTM-50	50	75	0/+0.030	17500	122500	1352

LIN-11B 长型直线滑块轴承 Long linear pillow blocks



- 封闭式枕块设计
 - 装配LIN-11滑动膜
 - 阳极氧化铝合金适配器
 - 螺栓固定
 - 免维护、低噪音
 - 适用于污垢或灰尘环境
 - 使用温度-50℃/+90℃
- Closed block design
 - Assembled LIN-11 liners
 - Anodized aluminum adapter
 - Secured by bolts
 - Maintenance-free and low noise
 - Resistance to dirt and dust
 - Operation temperature -50℃/+90℃

标准规格 Standard specifications



产品编码 Part No.:

LIN-11B-12

轴承内径 Inner diameter

长型设计滑块 Long design block

LIN-11标准滑动膜
Standard liners LIN-11

轴 Shaft: h6-h9

产品编码 Part No.	d ₁ [mm]	公差 Tolerance [mm]	H ^{+0.01} -0.014 [mm]	H ₁ [mm]	A [mm]	M [mm]	E ₁ ± 0.15 [mm]	E ₂ ± 0.15 [mm]	S [mm]	S ₁ [mm]	S ₂ [mm]	N ₂ [mm]	N ₁ [mm]	L [mm]
LIN-11B-12	12	+0.030/+0.088	18	35	43	21.5	32	23	8	M5	4.3	16.5	11	39
LIN-11B-16	16	+0.030/+0.088	22	42	53	26.5	40	26	10	M6	5.3	21	13	43
LIN-11B-20	20	+0.030/+0.091	25	50	60	30	45	32	11	M8	6.6	24	18	54
LIN-11B-25	25	+0.030/+0.091	30	60	78	39	60	40	15	M10	8.4	29	22	67
LIN-11B-30	30	+0.040/+0.110	35	70	87	43.5	68	45	15	M10	8.4	34	22	79
LIN-11B-40	40	+0.040/+0.115	45	90	108	54	86	58	18	M12	10.5	44	26	91
LIN-11B-50	50	+0.050/+0.130	50	105	132	66	108	50	20	M16	13.5	49	34	113

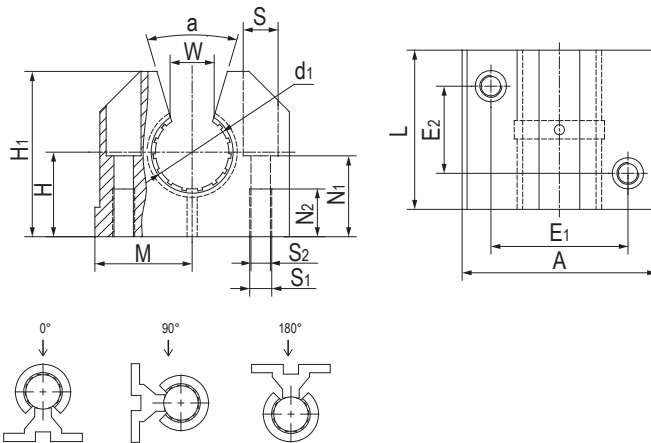
产品编码 Part No.	轴径 Shaft [mm]	F max. [N] 最大动载荷 Dynamic Load P=5MPa	F max. [N] 最大静载荷 Static Load P=35MPa	重量 Weight [g]
LIN-11B-12	12	960	6720	121
LIN-11B-16	16	1440	10080	211
LIN-11B-20	20	2250	15750	323
LIN-11B-25	25	3625	25375	651
LIN-11B-30	30	5100	35700	1050
LIN-11B-40	40	8000	56000	1820
LIN-11B-50	50	12500	87500	3250

LIN-11BK 开口型直线滑块轴承 Open linear pillow blocks



- 开口式枕块设计
 - 装配LIN-11滑动膜
 - 阳极氧化铝合金适配器
 - 螺栓固定
 - 免维护、低噪音
 - 适用于污垢或灰尘环境
 - 使用温度-50℃/+90℃
- Open block design
 - Assembled LIN-11K liners
 - Anodized aluminum adapter
 - Secured by bolts
 - Maintenance-free and low noise
 - Resistance to dirt and dust
 - Operation temperature -50℃/+90℃

标准规格 Standard specifications



产品编码 Part No.:

LIN-11BK-12

轴承内径 Inner diameter

开口设计滑块 Open design block

LIN-11标准滑动膜
Standard liners LIN-11

轴 Shaft: h6-h9

产品编码 Part No.	d ₁ [mm]	公差 Tolerance [mm]	H ^{+0.01} -0.014 [mm]	H ₁ [mm]	A [mm]	M [mm]	E ₁ ± 0.15 [mm]	E ₂ ± 0.15 [mm]	S [mm]	S ₁ [mm]	S ₂ [mm]	W-1 [mm]	N ₁ [mm]	a [°]	N ₂ [mm]	L [mm]
LIN-11BK-12	12	+0.030/+0.088	18	28	43	21.5	32	23	8	M5	4.3	10.2	16.5	78	11	39
LIN-11BK-16	16	+0.030/+0.088	22	35	53	26.5	40	26	10	M6	5.3	11.6	21	78	13	43
LIN-11BK-20	20	+0.030/+0.091	25	42	60	30	45	32	11	M8	6.6	12	24	60	18	54
LIN-11BK-25	25	+0.030/+0.091	30	51	78	39	60	40	15	M10	8.4	14.5	29	60	22	67
LIN-11BK-30	30	+0.040/+0.110	35	60	87	43.5	68	45	15	M10	8.4	16.6	34	57	22	79
LIN-11BK-40	40	+0.040/+0.115	45	77	108	54	86	58	18	M12	10.5	21	44	56	26	91
LIN-11BK-50	50	+0.050/+0.130	50	88	132	66	106	50	20	M16	13.5	25.5	49	54	34	113

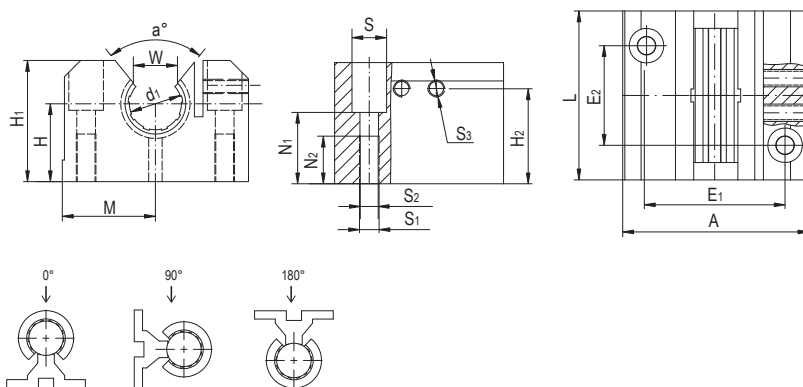
产品编码 Part No.	轴径 Shaft [mm]	F max. [N] 最大动载荷 Dynamic Load P=5MPa			F max. [N] 最大静载荷 Static Load P=35MPa			重量 Weight [g]
		0°	90°	180°	0°	90°	180°	
LIN-11BK-12	12	960	635	240	6720	4445	1680	95
LIN-11BK-16	16	1440	990	396	10080	6943	2772	158
LIN-11BK-20	20	2250	1800	900	15750	12600	6300	266
LIN-11BK-25	25	3625	2953	1523	25375	20670	10658	530
LIN-11BK-30	30	5100	4250	2278	35700	29735	15948	818
LIN-11BK-40	40	8000	6810	3800	56000	47660	26600	1485
LIN-11BK-50	50	12500	10750	6125	87500	75265	42875	2750

LIN-11BKE 开口可调节直线滑块轴承 Open and adjustable linear pillow blocks



- 开口式可调节枕块设计
 - 装配LIN-11K滑动膜
 - 阳极氧化铝合金适配器
 - 螺栓固定
 - 免维护、低噪音
 - 适用于污垢或灰尘环境
 - 使用温度-50℃/+90℃
- Open and adjustable block design
 - Assembled LIN-11K liners
 - Anodized aluminum adapter
 - Secured by bolts
 - Maintenance-free and low noise
 - Resistance to dirt and dust
 - Operation temperature -50℃/+90℃

标准规格 Standard specifications



产品编码 Part No.:

LIN-11BKE-12

- 轴承内径 Inner diameter
- 开口可调节滑块 Adjustable design block, open
- LIN-11标准滑动膜 Standard liners LIN-11

轴 Shaft: h6-h9

产品编码 Part No.	d ₁ [mm]	d ₁ 公差 Tolerance	H ^{+0.01 -0.014} [mm]	H ₁ [mm]	A [mm]	M [mm]	E ₁ ± 0.15 [mm]	E ₂ ± 0.15 [mm]	S [mm]	S ₁ [mm]	S ₂ [mm]	W-1 [mm]	N ₁ [mm]	a [°]	N ₂ [mm]	L [mm]	S ₃ [mm]	H ₂ [mm]
LIN-11BKE-12	12	X	18	28	43	21.5	32	23	8	M5	4.3	10.2	16.5	78	11	39	M4	22
LIN-11BKE-16	16	X	22	35	53	26.5	40	26	10	M6	5.3	11.6	21	78	13	43	M4	29
LIN-11BKE-20	20	X	25	42	60	30	45	32	11	M8	6.6	12	24	60	18	54	M5	34
LIN-11BKE-25	25	X	30	51	78	39	60	40	15	M10	8.4	14.5	29	60	22	67	M6	43
LIN-11BKE-30	30	X	35	60	87	43.5	68	45	15	M10	8.4	16.6	34	57	22	79	M6	50
LIN-11BKE-40	40	X	45	77	108	54	86	58	18	M12	10.5	21	44	56	26	91	M8	67
LIN-11BKE-50	50	X	50	88	132	66	106	50	20	M16	13.5	25.5	49	54	34	113	M8	76

X=可调节adjustable

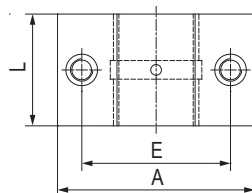
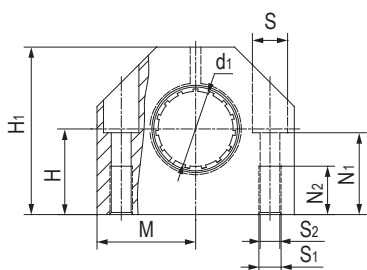
产品编码 Part No.	轴径 Shaft [mm]	F max. [N] 最大动载荷 Dynamic Load P=5MPa			F max. [N] 最大静载荷 Static Load P=35MPa			重量 Weight [g]
		0°	90°	180°	0°	90°	180°	
		LIN-11BKE-12	12	960	635	240	6720	
LIN-11BKE-16	16	1440	990	396	10080	6943	2772	150
LIN-11BKE-20	20	2250	1800	900	15750	12600	6300	260
LIN-11BKE-25	25	3625	2953	1523	25375	20670	10658	520
LIN-11BKE-30	30	5100	4250	2278	35700	29735	15948	810
LIN-11BKE-40	40	8000	6810	3800	56000	47660	26600	1480
LIN-11BKE-50	50	12500	10750	6125	87500	75265	42875	2740

LIN-12B 短型直线滑块轴承 Short linear pillow blocks



- 封闭式短型枕块设计
 - 装配LIN-12滑动膜
 - 阳极氧化铝合金适配器
 - 螺栓固定
 - 免维护、低噪音
 - 适用于污垢或灰尘环境
 - 使用温度-50℃/+90℃
- Closed and short block design
 - Assembled LIN-12 liners
 - Anodized aluminum adapter
 - Secured by bolts
 - Maintenance-free and low noise
 - Resistance to dirt and dust
 - Operation temperature -50℃/+90℃

标准规格 Standard specifications



产品编码 Part No.:

LIN-12B-12

轴承内径 Inner diameter

短型设计滑块 Short design block

LIN-12 标准滑动膜
Standard liners LIN-12

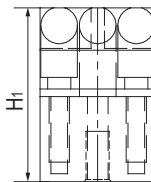
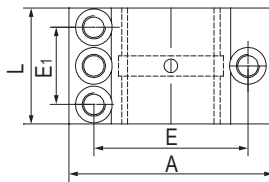
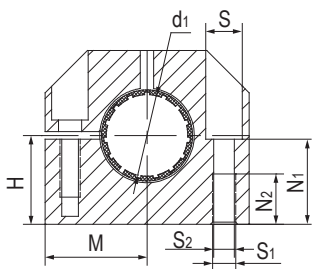
轴 Shaft: h6-h9

产品编码 Part No.	d ₁ [mm]	公差 Tolerance [mm]	H ^{+0.01} / _{-0.014} [mm]	H ₁ [mm]	A [mm]	M [mm]	E ± 0.15 [mm]	E ₁ ± 0.15 [mm]	S [mm]	S ₁ [mm]	S ₂ [mm]	N ₁ [mm]	N ₂ [mm]	L [mm]
LIN-12B-12	12	+0.030/+0.088	17	33	40	20	29	18	8	M5	4.3	16	11	28
LIN-12B-16	16	+0.030/+0.088	19	38	45	22.5	34	19	8	M5	4.3	18	11	30
LIN-12B-20	20	+0.030/+0.091	23	45	53	26.5	40	20	9.5	M6	5.3	22	13	30
LIN-12B-25	25	+0.030/+0.091	27	54	62	31	48	25.5	11	M8	6.6	26	18	40
LIN-12B-30	30	+0.030/+0.110	30	60	67	33.5	53	30.5	11	M8	6.6	29	18	50
LIN-12B-40	40	+0.030/+0.115	39	76	87	43.5	69	36	15	M10	8.4	38	22	60
LIN-12B-50	50	+0.030/+0.130	47	92	103	51.5	82	44	18	M12	10.5	46	26	70

产品编码 Part No.	轴径 Shaft [mm]	F max. [N] 最大动载荷 Dynamic Load P=5MPa	F max. [N] 最大静载荷 Static Load P=35MPa	重量 Weight [g]
LIN-12B-12	12	840	5880	78
LIN-12B-16	16	1200	8400	106
LIN-12B-20	20	1500	10500	132
LIN-12B-25	25	2500	17500	253
LIN-12B-30	30	3750	26250	374
LIN-12B-40	40	6000	42000	713
LIN-12B-50	50	8750	61250	1168

LIN-12BE 可调节直线滑块轴承 Adjustable linear pillow blocks


- 封闭式、短型可调节枕块设计
 - 装配LIN-12滑动膜
 - 阳极氧化铝合金适配器
 - 螺栓固定
 - 免维护、低噪音
 - 适用于污垢或灰尘环境
 - 使用温度-50℃/+90℃
- Closed and adjustable short block design
 - Assembled LIN-12 liners
 - Anodized aluminum adapter
 - Secured by bolts
 - Maintenance-free and low noise
 - Resistance to dirt and dust
 - Operation temperature -50℃/+90℃

标准规格 Standard specifications


产品编码 Part No.:

LIN-12BE-12

轴承内径 Inner diameter

 可调节设计滑块
Alignment design block

 LIN-12 标准滑动膜
Standard liners LIN-12

轴 Shaft: h6-h9

产品编码 Part No.	d ₁ [mm]	公差 Tolerance [mm]	H +0.01 -0.014 [mm]	H ₁ [mm]	A [mm]	M [mm]	E ± 0.15 [mm]	E ₁ ± 0.15 [mm]	S [mm]	S ₁ [mm]	S ₂ [mm]	N ₁ [mm]	N ₂ [mm]	L [mm]
LIN-12BE-12	12	X	17	33	40	20	29	18	8	4.3	M5	16	11	28
LIN-12BE-16	16	X	19	38	45	22.5	34	19	8	4.3	M5	18	11	30
LIN-12BE-20	20	X	23	45	53	26.5	40	20	9.5	5.3	M6	22	13	30
LIN-12BE-25	25	X	27	54	62	31	48	25.5	11	6.6	M8	26	18	40
LIN-12BE-30	30	X	30	60	67	33.5	53	30.5	11	6.6	M8	29	18	50
LIN-12BE-40	40	X	39	76	87	43.5	69	36	15	8.4	M10	38	22	60
LIN-12BE-50	50	X	47	92	103	51.5	82	44	18	10.5	M12	46	26	70

X=可调节adjustable

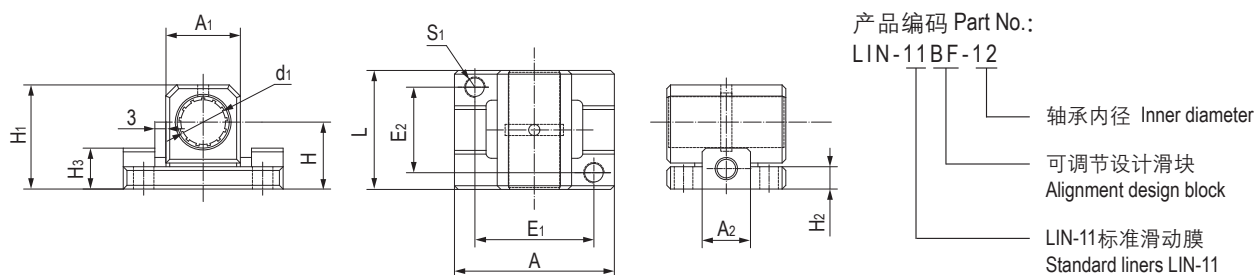
产品编码 Part No.	轴径 Shaft [mm]	F max. [N] 最大动载荷 Dynamic Load P=5MPa	F max. [N] 最大静载荷 Static Load P=35MPa	重量 Weight [g]
LIN-12BE-12	12	840	5880	78
LIN-12BE-16	16	1200	8400	106
LIN-12BE-20	20	1500	10500	132
LIN-12BE-25	25	2500	17500	253
LIN-12BE-30	30	3750	26250	374
LIN-12BE-40	40	6000	42000	713
LIN-12BE-50	50	8750	61250	1168

LIN-11BF 封闭式浮动直线滑块轴承 Closed and floating pillow blocks



- 封闭式浮动设计
 - 装配标准LIN-11滑动膜
 - 补偿平行度误差 $\pm 3.0\text{mm}$
 - 补偿对中误差 $\pm 3.5^\circ$
 - 阳极氧化铝合金适配器
 - 免维护、低噪音
 - 适用于污垢或灰尘环境
 - 使用温度 $-50^\circ\text{C}/+90^\circ\text{C}$
- Closed and floating design
 - Assembled standard liner LIN-11
 - Compensation of parallelism errors $\pm 3.0\text{mm}$
 - Compensation of misalignment errors $\pm 3.5^\circ$
 - Anodized aluminum adapter
 - Maintenance-free and low noise
 - Resistance to dirt and dust
 - Operation temperature $-50^\circ\text{C}/+90^\circ\text{C}$

标准规格 Standard specifications



轴 Shaft: h6-h9

产品编码 Part No.	d_1 [mm]	公差 Tolerance [mm]	$H \pm 0.01$ [mm]	H_1 [mm]	A [mm]	$E_1 \pm 0.15$ [mm]	$E_2 \pm 0.15$ [mm]	S_1 [mm]	A_1 [mm]	A_2 [mm]	H_2 [mm]	H_3 [mm]	L [mm]
LIN-11BF-12	12	+0.030/+0.088	18	28	43	32	23	M5	20	13	6	11	32
LIN-11BF-16	16	+0.030/+0.088	22	35	53	40	26	M6	26	15	7	11	36
LIN-11BF-20	20	+0.030/+0.091	25	41	60	45	32	M8	32	19	7	12.5	45
LIN-11BF-25	25	+0.030/+0.091	30	50	78	60	40	M10	40	23	9	15	58
LIN-11BF-30	30	+0.040/+0.110	35	59	87	68	45	M10	48	28	10	58	68
LIN-11BF-40	40	+0.040/+0.115	45	76	108	86	58	M12	62	80	20	20	80
LIN-11BF-50	50	+0.050/+0.130	50	89	132	108	50	M16	78	100	24	24	100

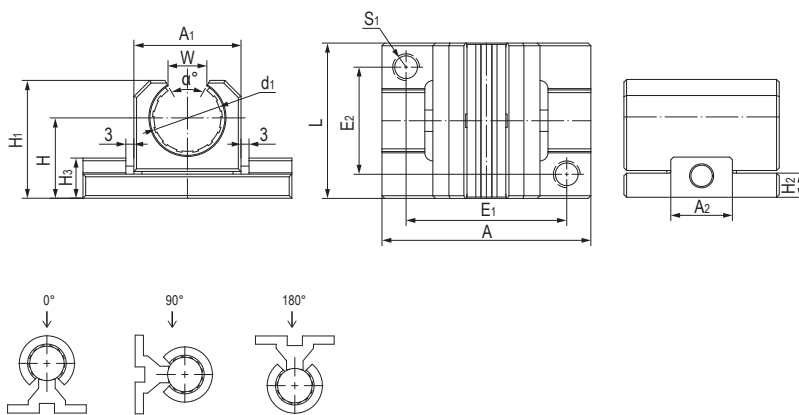
产品编码 Part No.	轴径 Shaft [mm]	$F_{\text{max.}}$ [N] 最大动载荷 Dynamic Load	$F_{\text{max.}}$ [N] 最大静载荷 Static Load	重量 Weight [g]
LIN-11BF-12	12	960	6000	50
LIN-11BF-16	16	1440	7500	80
LIN-11BF-20	20	2250	10800	130
LIN-11BF-25	25	3625	18000	280
LIN-11BF-30	30	5100	24000	430
LIN-11BF-40	40	8000	37500	850
LIN-11BF-50	50	12500	45000	1550

LIN-11BFK 开口式浮动直线滑块轴承 Opening and floating pillow blocks



- 开口式浮动设计
 - 装配标准LIN-11K滑动膜
 - 补偿平行度误差 $\pm 3.0\text{mm}$
 - 补偿对中误差 $\pm 3.5^\circ$
 - 阳极氧化铝合金适配器
 - 免维护、低噪音
 - 适用于污垢或灰尘环境
 - 使用温度 $-50^\circ\text{C}/+90^\circ\text{C}$
- Opening and floating design
 - Assembled standard liner LIN-11K
 - Compensation of parallelism errors $\pm 3.0\text{mm}$
 - Compensation of misalignment errors $\pm 3.5^\circ$
 - Anodized aluminum adapter
 - Maintenance-free and low noise
 - Resistance to dirt and dust
 - Operation temperature $-50^\circ\text{C}/+90^\circ\text{C}$

标准规格 Standard specifications



产品编码 Part No.:
LIN-11BFK-12

- 轴承内径 Inner diameter
- 可调节设计滑块 Alignment design block
- LIN-11K 标准滑动膜 Standard liners LIN-11K

轴 Shaft: h6-h9

产品编码 Part No.	d_1 [mm]	公差 Tolerance [mm]	$H \pm 0.01$ [mm]	H_1 [mm]	A [mm]	W-1 [mm]	$E_1 \pm 0.15$ [mm]	$E_2 \pm 0.15$ [mm]	S_1 [mm]	A_1 [mm]	A_2 [mm]	H_2 [mm]	H_3 [mm]	α [°]	L [mm]
LIN-11BFK-12	12	+0.030/+0.088	18	24.5	43	10.2	32	23	M5	20	13	6	11	90°	32
LIN-11BFK-16	16	+0.030/+0.088	22	30.5	53	11.6	40	26	M6	26	15	7	11	90°	36
LIN-11BFK-20	20	+0.030/+0.091	25	37	60	12	45	32	M8	32	19	7	12.5	90°	45
LIN-11BFK-25	25	+0.030/+0.091	30	44	78	14.5	60	40	M10	40	23	9	15	90°	58
LIN-11BFK-30	30	+0.040/+0.110	35	52.5	87	16.8	68	45	M10	48	28	10	15	90°	68
LIN-11BFK-40	40	+0.040/+0.115	45	69	108	21.0	86	58	M12	62	80	20	20	90°	80
LIN-11BFK-50	50	+0.050/+0.130	50	80	132	25.5	108	50	M16	78	100	24	24	90°	100

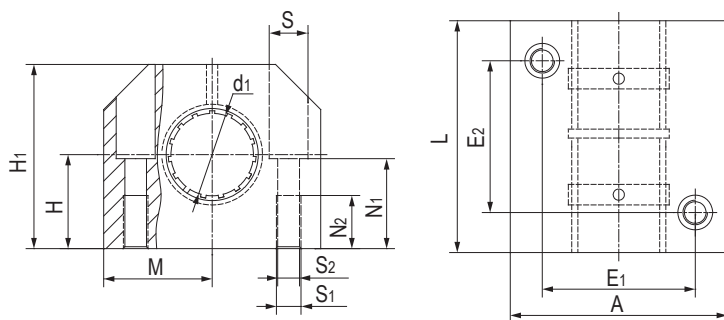
产品编码 Part No.	轴径 Shaft [mm]	F max. [N] 最大动载荷 Dynamic Load			F max. [N] 最大静载荷 Static Load			重量 Weight [g]
		0°	90°	180°	0°	90°	180°	
LIN-11BFK-12	12	960	635	240	6000	4445	1680	40
LIN-11BFK-16	16	1440	990	396	7500	6943	2772	70
LIN-11BFK-20	20	2250	1800	900	10800	12600	6300	115
LIN-11BFK-25	25	3625	2953	1523	18000	20670	10658	240
LIN-11BFK-30	30	5100	4250	2278	24000	29735	15948	370
LIN-11BFK-40	40	8000	6810	3800	37500	47660	26600	750
LIN-11BFK-50	50	12500	10750	6125	45000	75265	42875	1400

LIN-12BL 加长型直线滑块轴承 Long design pillow blocks



- 封闭式加长型枕块设计
 - 装配2个LIN-12滑动膜
 - 阳极氧化铝合金适配器
 - 螺栓固定
 - 免维护、低噪音
 - 适用于污垢或灰尘环境
 - 使用温度-50℃/+90℃
- Closed block design and increased the guide length
 - Assembled 2pcs liners LIN-12
 - Anodized aluminum adapter
 - Secured by bolts
 - Maintenance-free and low noise
 - Resistance to dirt and dust
 - Operation temperature -50℃/+90℃

标准规格 Standard specifications



产品编码 Part No.:

LIN-12BL-12

轴承内径 Inner diameter

加长型设计滑块 Long design block

LIN-12标准滑动膜
Standard liners LIN-12

轴 Shaft: h6-h9

产品编码 Part No.	d ₁ [mm]	公差 Tolerance [mm]	H +0.01 -0.014 [mm]	H ₁ [mm]	A [mm]	M [mm]	E ± 0.15 [mm]	E ₁ ± 0.15 [mm]	S [mm]	S ₁ [mm]	S ₂ [mm]	N ₁ [mm]	N ₂ [mm]	L [mm]
LIN-12BL-12	12	+0.030/+0.088	17	33	40	20	29	35	8	4.3	M5	16	11	60
LIN-12BL-16	16	+0.030/+0.088	19	38	45	22.5	34	40	8	4.3	M5	18	11	65
LIN-12BL-20	20	+0.030/+0.091	23	45	53	26.5	40	45	9.5	5.3	M6	22	13	65
LIN-12BL-25	25	+0.030/+0.091	27	54	62	31	48	55	11	6.6	M8	26	18	85
LIN-12BL-30	30	+0.040/+0.110	30	60	67	33.5	53	70	11	6.6	M8	29	18	105
LIN-12BL-40	40	+0.040/+0.115	39	76	87	43.5	69	85	15	8.4	M10	38	22	125
LIN-12BL-50	50	+0.040/+0.130	47	92	103	51.5	82	100	18	10.5	M12	46	26	145

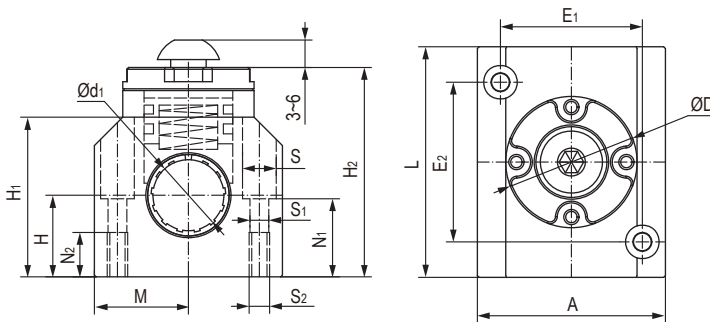
产品编码 Part No.	轴径 Shaft [mm]	F max. [N] 最大动载荷 Dynamic Load P=5MPa	F max. [N] 最大静载荷 Static Load P=35MPa	重量 Weight [g]
LIN-12BL-12	12	1680	11600	170
LIN-12BL-16	16	2400	16800	250
LIN-12BL-20	20	3000	21000	300
LIN-12BL-25	25	5000	35000	550
LIN-12BL-30	30	7500	52500	750
LIN-12BL-40	40	12000	84000	1500
LIN-12BL-50	50	17500	122500	2400

LIN-12BLP 预紧加长型直线轴承滑块 Preload and long design pillow blocks



- 封闭式加长型枕块设计
 - 装配2个LIN-12滑动膜
 - 带预紧力调节装置
 - 阳极氧化铝合金适配器
 - 免维护、低噪音
 - 适用于污垢或灰尘环境
 - 使用温度-50℃/+90℃
- Closed block design and increased the guide length
 - Assembled 2pcs liners LIN-12
 - Preload adjustable device
 - Anodized aluminum adapter
 - Maintenance-free and low noise
 - Resistance to dirt and dust
 - Operation temperature -50℃/+90℃

标准规格 Standard specifications



产品编码 Part No.:
LIN-12BLP-12

- 轴承内径 Inner diameter
- 加长型预紧设计 Preload long design
- LIN-12标准滑动膜 Standard liners LIN-12

轴 Shaft: h6-h9

产品编码 Part No.	d ₁ [mm]	公差 Tolerance [mm]	H +0.01 -0.014 [mm]	H ₁ [mm]	H ₂ [mm]	A [mm]	M [mm]	E ± 0.15 [mm]	E ₁ ± 0.15 [mm]	S [mm]	S ₁ [mm]	S ₂ [mm]	N ₁ [mm]	N ₂ [mm]	D [mm]	L [mm]
LIN-12BLP-12	12	+0.030/+0.088	17	33	43	40	20	29	35	8	4.3	M5	16	11	28	60
LIN-12BLP-16	16	+0.030/+0.088	19	38	50	45	22.5	34	40	8	4.3	M5	18	11	32	65
LIN-12BLP-20	20	+0.030/+0.091	23	45	59	53	26.5	40	45	9.5	5.3	M6	22	13	37	65
LIN-12BLP-25	25	+0.030/+0.091	27	54	70	62	31	48	55	11	6.6	M8	26	18	42	85
LIN-12BLP-30	30	+0.040/+0.110	30	60	76	67	33.5	53	70	11	6.6	M8	29	18	48	105

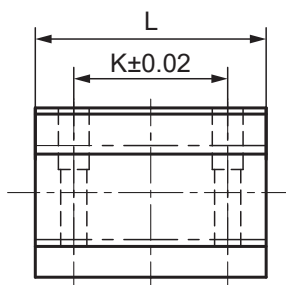
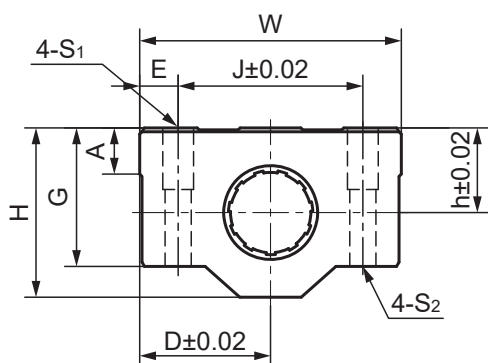
产品编码 Part No.	轴径 Shaft [mm]	F max. [N] 最大动载荷 Dynamic Load P=5MPa	F max. [N] 最大静载荷 Static Load P=35MPa	重量 Weight [g]
LIN-12BLP-12	12	1200	8286	189
LIN-12BLP-16	16	1720	12040	261
LIN-12BLP-20	20	1900	13300	399
LIN-12BLP-25	25	3250	22750	639
LIN-12BLP-30	30	3900	27300	931

LIN-01G 标准设计直线轴承座 Housing bearings, standard design



- 封闭式带轴承座设计
- 装配LIN-01直线轴承
- 阳极氧化铝合金座孔
- 减小配合间隙
- 免维护、低噪音
- 适用于污垢或灰尘环境
- 使用温度-20℃/+60℃
- Closed design with housing
- Assembled linear bearings LIN-01
- Anodized aluminum housing
- Reduced bearing clearance
- Maintenance-free and low noise
- Resistance to dirt and dust
- Operation temperature -20℃/+60℃

标准规格 Standard specifications



产品编码 Part No.:

LIN-01G-16

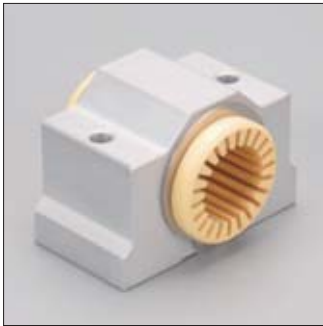
- 轴承内径 Inner diameter
- 标准设计直线轴承座 Pillow block, standard design
- LIN-01直线轴承 Standard bearings LIN-01

轴 Shaft: h6-h9

产品编码 Part No.	内装轴承 Bearing [mm]	轴径 Shaft [mm]	尺寸 Size [mm]											
			h	D	W	H	G	A	J	E	S ₁	S ₂	K	L
LIN-01G-12	LIN-01-12	12	15	22	44	30	24	8	33	5.5	M5*12	Φ4.3	26	39
LIN-01G-16	LIN-01-16	16	19	25	50	38.5	32.5	9	36	7	M5*12	Φ4.3	34	44
LIN-01G-20	LIN-01-20	20	21	27	54	41	35	11	40	7	M6*12	Φ5.2	40	53
LIN-01G-25	LIN-01-25	25	26	38	76	51.5	41	12	54	11	M8*12	Φ7	50	67
LIN-01G-30	LIN-01-30	30	30	39	78	59.5	49	15	58	10	M8*12	Φ7	58	76

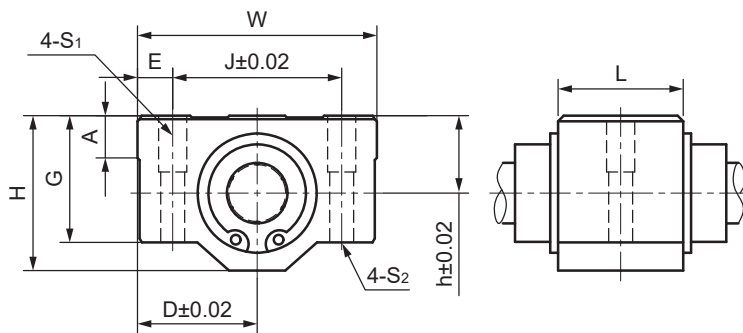
产品编码 Part No.	内径ID [mm]	公差 Tolerance [mm]	F max. [N] 最大动载荷 Dynamic Load P=5MPa	F max. [N] 最大静载荷 Static Load P=35MPa	重量 Weight [g]
LIN-01G-12	12	0/+0.04	480	3360	68
LIN-01G-16	16	0/+0.04	720	5040	110
LIN-01G-20	20	0/+0.04	1125	7875	133
LIN-01G-25	25	0/+0.05	1813	12688	286
LIN-01G-30	30	0/+0.05	2550	17850	359

LIN-01GN 窄设计直线轴承座 Housing bearings, short design



- 封闭式窄轴承座设计
- 装配LIN-01直线轴承
- 阳极氧化铝合金座孔
- 减小配合间隙
- 免维护、低噪音
- 适用于污垢或灰尘环境
- 使用温度-20℃/+60℃
- Closed design with short housing
- Assembled linear bearings LIN-01
- Anodized aluminum housing
- Reduced bearing clearance
- Maintenance-free and low noise
- Resistance to dirt and dust
- Operation temperature -20℃/+60℃

标准规格 Standard specifications



产品编码 Part No.:
LIN-01GN-16

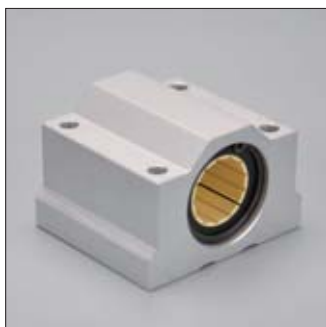
- 轴承内径 Inner diameter
- 窄设计直线轴承座 Pillow block, short design
- LIN-01直线轴承 Standard bearings LIN-01

轴 Shaft: h6-h9

产品编码 Part No.	内装轴承 Bearing [mm]	轴径 Shaft [mm]	尺寸 Size [mm]										
			h	D	W	H	G	A	J	E	S ₁	S ₂	L
LIN-11GN-12	LIN-01-12	12	15	22	44	30	24	8	33	5.5	M5*12	Φ4.3	20.3
LIN-11GN-16	LIN-01-16	16	19	25	50	38.5	32.5	9	36	7	M5*12	Φ4.3	22.3
LIN-11GN-20	LIN-01-20	20	21	27	54	41	35	11	40	7	M6*12	Φ5.2	28.3
LIN-11GN-25	LIN-01-25	25	26	38	76	51.5	41	12	54	11	M8*12	Φ7	40.4
LIN-11GN-30	LIN-01-30	30	30	39	78	59.5	49	15	58	10	M8*12	Φ7	48.4

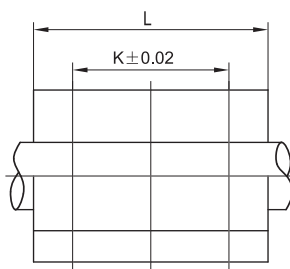
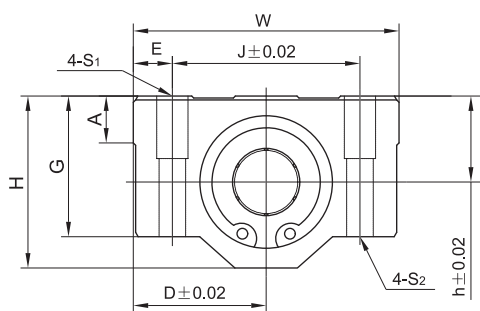
产品编码 Part No.	内径 I.D [mm]	公差 Tolerance [mm]	F max. [N] 最大动载荷 Dynamic Load P=5MPa	F max. [N] 最大静载荷 Static Load P=35MPa	重量 Weight [g]
LIN-11GN-12	12	0/+0.04	480	3360	16
LIN-11GN-16	16	0/+0.04	720	5040	52
LIN-11GN-20	20	0/+0.04	1125	7875	64
LIN-11GN-25	25	0/+0.05	1813	12688	136
LIN-11GN-30	30	0/+0.05	2550	17850	169

LIN-11G 标准设计直线轴承座 Housing bearings, standard design



- 封闭式带轴承座设计
 - 装配LIN-11R直线轴承
 - 阳极氧化铝合金座孔
 - 螺栓固定
 - 免维护、低噪音
 - 适用于污垢或灰尘环境
 - 使用温度-50℃/+90℃
- Closed design with housing
 - Assembled linear bearings LIN-11R
 - Anodized aluminum housing
 - Secured by bolts
 - Maintenance-free and low noise
 - Resistance to dirt and dust
 - Operation temperature -50℃/+90℃

标准规格 Standard specifications



产品编码 Part No.:

LIN-11G-16

- 轴承内径 Inner diameter
- 标准设计直线轴承座 Pillow block, standard design
- LIN-11R直线轴承 Standard bearings LIN-11R

轴 Shaft: h6-h9

产品编码 Part No.	内装轴承 Bearing [mm]	轴径 Shaft [mm]	尺寸 Size [mm]											
			h	D	W	H	G	A	J	E	S ₁	S ₂	K	L
LIN-11G-12	LIN-11R-12	12	15	22	44	30	24	8	33	5.5	M5*12	Φ4.3	26	39
LIN-11G-16	LIN-11R-16	16	19	25	50	38.5	32.5	9	36	7	M5*12	Φ4.3	34	44
LIN-11G-20	LIN-11R-20	20	21	27	54	41	35	11	40	7	M6*12	Φ5.2	40	53
LIN-11G-25	LIN-11R-25	25	26	38	76	51.5	41	12	54	11	M8*12	Φ7	50	67
LIN-11G-30	LIN-11R-30	30	30	39	78	59.5	49	15	58	10	M8*12	Φ7	58	76
LIN-11G-40	LIN-11R-40	40	40	51	102	78	62	20	80	11	M10*12	Φ8.7	60	90
LIN-11G-50	LIN-11R-50	50	52	61	122	102	80	24	100	11	M10*12	Φ8.7	80	110

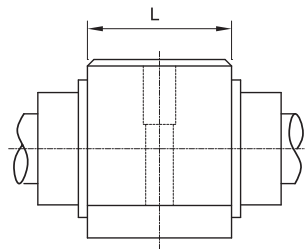
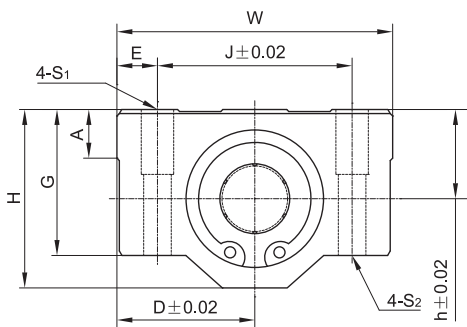
产品编码 Part No.	内径LD [mm]	公差 Tolerance [mm]	F max. [N]		重量 Weight [g]
			最大动载荷 Dynamic Load P=5MPa	最大静载荷 Static Load P=35MPa	
LIN-11G-12	12	+0.030/+0.088	960	6720	79
LIN-11G-16	16	+0.030/+0.088	1440	10080	125
LIN-11G-20	20	+0.030/+0.091	2250	15750	159
LIN-11G-25	25	+0.030/+0.091	3625	25375	343
LIN-11G-30	30	+0.040/+0.110	5100	35700	450
LIN-11G-40	40	+0.040/+0.115	8000	56000	1021
LIN-11G-50	50	+0.040/+0.130	9000	87500	1871

LIN-11GN 窄设计直线轴承座 Housing bearings, short design



- 封闭式窄轴承座设计
- 装配LIN-11R直线轴承
- 阳极氧化铝合金座孔
- 螺栓固定
- 免维护、低噪音
- 适用于污垢或灰尘环境
- 使用温度-50℃/+90℃
- Closed design with short housing
- Assembled linear bearings LIN-11R
- Anodized aluminum housing
- Secured by bolts
- Maintenance-free and low noise
- Resistance to dirt and dust
- Operation temperature -50℃/+90℃

标准规格 Standard specifications



产品编码 Part No.:
LIN-11GN-16

- 轴承内径 Inner diameter
- 窄设计直线轴承座 Pillow block, short design
- LIN-11R直线轴承 Standard bearings LIN-11R

轴 Shaft: h6-h9

产品编码 Part No.	内装轴承 Bearing [mm]	轴径 Shaft [mm]	尺寸 Size [mm]										
			h	D	W	H	G	A	J	E	S ₁	S ₂	L
LIN-11GN-12	LIN-11R-12	12	15	22	44	30	24	8	33	5.5	M5*12	Φ4.3	20.3
LIN-11GN-16	LIN-11R-16	16	19	25	50	38.5	32.5	9	36	7	M5*12	Φ4.3	22.3
LIN-11GN-20	LIN-11R-20	20	21	27	54	41	35	11	40	7	M6*12	Φ5.2	28.3
LIN-11GN-25	LIN-11R-25	25	26	38	76	51.5	41	12	54	11	M8*12	Φ7	40.4
LIN-11GN-30	LIN-11R-30	30	30	39	78	59.5	49	15	58	10	M8*12	Φ7	48.4
LIN-11GN-40	LIN-11R-40	40	40	51	102	78	62	20	80	11	M10*12	Φ8.7	56.4
LIN-11GN-50	LIN-11R-50	50	52	61	122	102	80	24	100	11	M10*12	Φ8.7	72.3

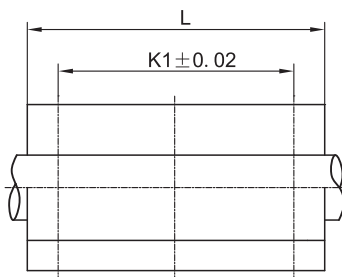
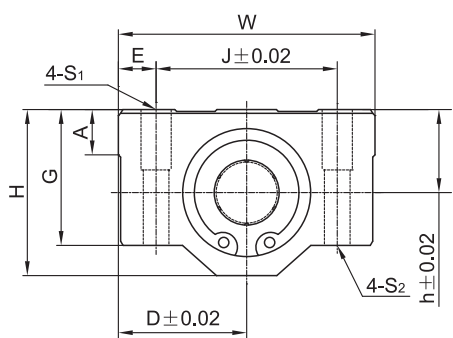
产品编码 Part No.	内径I.D [mm]	公差 Tolerance [mm]	F max. [N] 最大动载荷 Dynamic Load P=5MPa	F max. [N] 最大静载荷 Static Load P=35MPa	重量 Weight [g]
LIN-11GN-12	12	+0.030/+0.088	960	6720	60
LIN-11GN-16	16	+0.030/+0.088	1440	10080	67
LIN-11GN-20	20	+0.030/+0.091	2250	15750	90
LIN-11GN-25	25	+0.030/+0.091	3625	25375	193
LIN-11GN-30	30	+0.040/+0.110	5100	35700	260
LIN-11GN-40	40	+0.040/+0.115	8000	56000	641
LIN-11GN-50	50	+0.040/+0.130	9000	87500	1149

LIN-11GL 长设计直线轴承座 Housing bearings, long design



- 封闭式加长型轴承座设计
- 装配2个LIN-11R直线轴承
- 阳极氧化铝合金座孔
- 螺栓固定
- 免维护、低噪音
- 适用于污垢或灰尘环境
- 使用温度 -50℃/+90℃
- Closed housing design and increased the guide length
- Assembled 2pcs linear bearings LIN-11R
- Anodized aluminum housing
- Secured by bolts
- Maintenance-free and low noise
- Resistance to dirt and dust
- Operation temperature -50℃/+90℃

标准规格 Standard specifications



产品编码 Part No.:

LIN-11GL-16

- 轴承内径 Inner diameter
- 长设计直线轴承座 Pillow block, long design
- LIN-11R直线轴承 Standard bearings LIN-11R

轴 Shaft: h6-h9

产品编码 Part No.	内装轴承 Bearing [mm]	轴径 Shaft [mm]	尺寸 Size [mm]											
			h	D	W	H	G	A	J	E	S ₁	S ₂	K	L
LIN-11GL-12	2 × LIN-11R-12	12	15	22	44	30	24	8	33	5.5	M5*12	Φ4.3	64	77
LIN-11GL-16	2 × LIN-11R-16	16	19	25	50	38.5	32.5	9	36	7	M5*12	Φ4.3	79	89
LIN-11GL-20	2 × LIN-11R-20	20	21	27	54	41	35	11	40	7	M6*12	Φ5.2	90	106
LIN-11GL-25	2 × LIN-11R-25	25	26	38	76	51.5	41	12	54	11	M8*12	Φ7	119	136
LIN-11GL-30	2 × LIN-11R-30	30	30	39	78	59.5	49	15	58	10	M8*12	Φ7	132	154
LIN-11GL-40	2 × LIN-11R-40	40	40	51	102	78	62	20	80	11	M10*12	Φ8.7	150	180
LIN-11GL-50	2 × LIN-11R-50	50	52	61	122	102	80	24	100	11	M10*12	Φ8.7	200	230

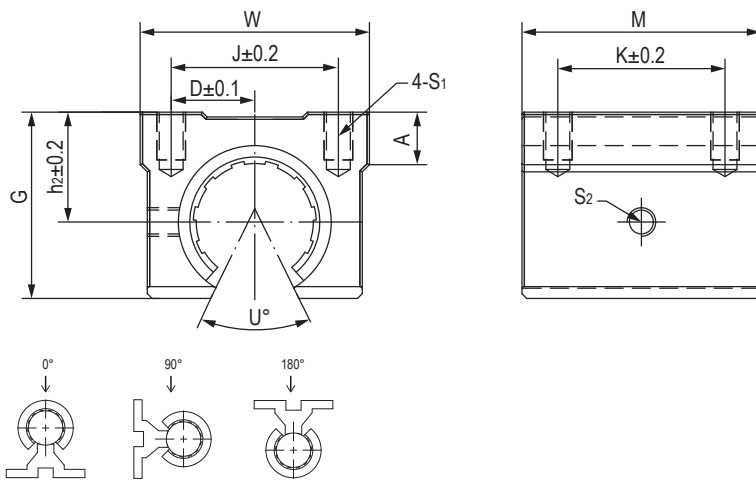
产品编码 Part No.	内径 I.D [mm]	公差 Tolerance [mm]	F max. [N] 最大动载荷 Dynamic Load P=5MPa	F max. [N] 最大静载荷 Static Load P=35MPa	重量 Weight [g]
LIN-11GL-12	12	+0.030/+0.088	1920	13440	210
LIN-11GL-16	16	+0.030/+0.088	2880	20160	250
LIN-11GL-20	20	+0.030/+0.091	4500	31500	318
LIN-11GL-25	25	+0.030/+0.091	7250	50750	686
LIN-11GL-30	30	+0.040/+0.110	10200	71400	905
LIN-11GL-40	40	+0.040/+0.115	16000	112000	2041
LIN-11GL-50	50	+0.040/+0.130	18000	175000	5215

LIN-11GK 标准型开口直线轴承座 Open housing bearings



- 开口型轴承座设计
 - 装配LIN-11RK直线轴承
 - 阳极氧化铝合金座孔
 - 螺栓固定
 - 免维护、低噪音
 - 适用于污垢或灰尘环境
 - 使用温度 -50℃/+90℃
- Open housing design
 - Assembled linear bearings LIN-11RK
 - Anodized aluminum housing
 - Secured by bolts
 - Maintenance-free and low noise
 - Resistance to dirt and dust
 - Operation temperature -50℃/+90℃

标准规格 Standard specifications



产品编码 Part No.:

LIN-11GK-16

轴承内径 Inner diameter

 开口设计直线轴承座
Pillow block, open design

 LIN-11RK直线轴承
Standard bearings LIN-11RK

轴 Shaft: h6-h9

产品编码 Part No.	内装轴承 Bearing [mm]	轴径 Shaft [mm]	尺寸 Size [mm]										
			W	G	A	M	h ₂	D	U°	J	K	S ₁	S ₂
LIN-11GK-12	LIN-1221-32RK	12	40	27.6	8	39	17	14	80	28	26	M5*10	M5
LIN-11GK-16	LIN-1628-36RK	16	45	33	9	45	20	22.5	80	32	30	M5*12	M5
LIN-11GK-20	LIN-11RK-20	20	48	39	11	50	23	24	60	35	35	M6*12	M5
LIN-11GK-25	LIN-11RK-25	25	60	47	14	65	27	30	50	40	40	M6*12	M5
LIN-11GK-30	LIN-3045-68RK	30	70	56	15	70	33	35	50	50	50	M8*18	M5

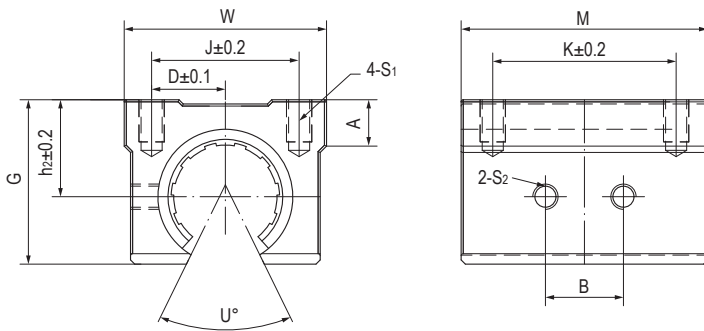
产品编码 Part No.	内径ID [mm]	公差 Tolerance [mm]	F max. [N] 最大动载荷 Dynamic Load P=5MPa			F max. [N] 最大静载荷 Static Load P=35MPa			重量 Weight [g]
			0°	90°	180°	0°	90°	180°	
			LIN-11GK-12	12	+0.030/+0.088	960	635	240	
LIN-11GK-16	16	+0.030/+0.088	1440	990	396	10080	6943	2772	125
LIN-11GK-20	20	+0.030/+0.091	2250	1800	900	15750	12600	6300	159
LIN-11GK-25	25	+0.030/+0.091	3625	2953	1523	25375	20670	10658	343
LIN-11GK-30	30	+0.040/+0.110	5100	4250	2278	35700	29735	15948	450

LIN-11GKL 加长型开口直线轴承座 Open housing bearings, long design



- 开口型轴承座设计
- 装配2个LIN-11RK直线轴承
- 阳极氧化铝合金座孔
- 螺栓固定
- 免维护、低噪音
- 适用于污垢或灰尘环境
- 使用温度 -50℃/+90℃
- Open housing design and increased the guide length
- Assembled 2pcs linear bearings LIN-11RK
- Anodized aluminum housing
- Secured by bolts
- Maintenance-free and low noise
- Resistance to dirt and dust
- Operation temperature -50℃/+90℃

标准规格 Standard specifications



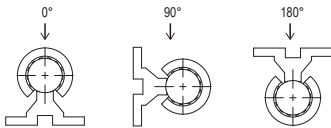
产品编码 Part No.:

LIN-11GKL-16

轴承内径 Inner diameter

开口型长设计直线轴承座
Open, pillow block, long design

LIN-11RK直线轴承
Standard bearings LIN-11RK



轴 Shaft: h6-h9

产品编码 Part No.	内装轴承 Bearing [mm]	轴径 Shaft [mm]	尺寸 Size [mm]												
			D	W	G	A	M	h ₂	D1	U°	J	K	B	S ₁	S ₂
LIN-11GKL-16	2 × LIN-1628-36RK	16	22.5	45	33	9	85	20	22.5	80	32	60	41	M5*12	M5
LIN-11GKL-20	2 × LIN-11RK-20	20	24	48	39	11	96	23	24	60	35	70	47	M6*12	M5
LIN-11GKL-25	2 × LIN-11RK-25	25	30	60	47	14	130	27	30	50	40	100	63	M6*12	M5
LIN-11GKL-30	2 × LIN-3045-68RK	30	35	70	56	15	140	33	35	50	50	110	70	M8*18	M5

产品编码 Part No.	内径 I.D [mm]	公差 Tolerance [mm]	F max. [N]			F max. [N]			重量 Weight [g]
			最大动载荷 Dynamic Load P=5MPa			最大静载荷 Static Load P=35MPa			
			0°	90°	180°	0°	90°	180°	
LIN-11GKL-16	16	+0.030/+0.088	2880	1980	792	20160	13886	5544	250
LIN-11GKL-20	20	+0.030/+0.091	4500	3600	1800	31500	25200	12600	318
LIN-11GKL-25	25	+0.030/+0.091	7250	5906	3046	50750	41340	21316	686
LIN-11GKL-30	30	+0.040/+0.110	10200	8500	4556	71400	59470	31896	905