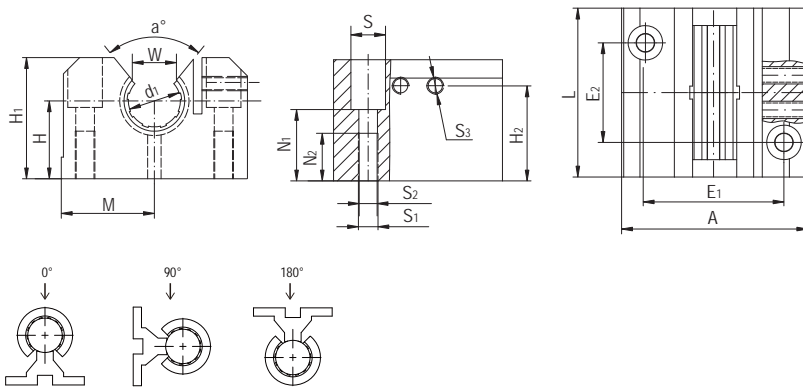


LIN-11BKE 开口可调节直线滑块轴承 Open and adjustable linear pillow blocks



- 开口式可调节枕块设计
- 装配LIN-11K滑动膜
- 阳极氧化铝合金适配器
- 螺栓固定
- 免维护、低噪音
- 适用于污垢或灰尘环境
- 使用温度-50℃/+90℃
- Open and adjustable block design
- Assembled LIN-11K liners
- Anodized aluminum adapter
- Secured by bolts
- Maintenance-free and low noise
- Resistance to dirt and dust
- Operation temperature -50℃/+90℃

标准规格 Standard specifications



产品编码 Part No.:

LIN-11BKE-12

- 轴承内径 Inner diameter
- 开口可调节滑块 Adjustable design block, open
- LIN-11标准滑动膜 Standard liners LIN-11

轴 Shaft: h6-h9

产品编码 Part No.	d ₁ [mm]	d ₁ 公差 Tolerance	H ^{+0.01 -0.014} [mm]	H ₁ [mm]	A [mm]	M [mm]	E ₁ ±0.15 [mm]	E ₂ ±0.15 [mm]	S [mm]	S ₁ [mm]	S ₂ [mm]	W-1 [mm]	N ₁ [mm]	a [°]	N ₂ [mm]	L [mm]	S ₃ [mm]	H ₂ [mm]
LIN-11BKE-12	12	X	18	28	43	21.5	32	23	8	M5	4.3	10.2	16.5	78	11	39	M4	22
LIN-11BKE-16	16	X	22	35	53	26.5	40	26	10	M6	5.3	11.6	21	78	13	43	M4	29
LIN-11BKE-20	20	X	25	42	60	30	45	32	11	M8	6.6	12	24	60	18	54	M5	34
LIN-11BKE-25	25	X	30	51	78	39	60	40	15	M10	8.4	14.5	29	60	22	67	M6	43
LIN-11BKE-30	30	X	35	60	87	43.5	68	45	15	M10	8.4	16.6	34	57	22	79	M6	50
LIN-11BKE-40	40	X	45	77	108	54	86	58	18	M12	10.5	21	44	56	26	91	M8	67
LIN-11BKE-50	50	X	50	88	132	66	106	50	20	M16	13.5	25.5	49	54	34	113	M8	76

X=可调节adjustable

产品编码 Part No.	轴径 Shaft [mm]	F max. [N] 最大动载荷 Dynamic Load P=5MPa			F max. [N] 最大静载荷 Static Load P=35MPa			重量 Weight [g]
		0°	90°	180°	0°	90°	180°	
LIN-11BKE-12	12	960	635	240	6720	4445	1680	90
LIN-11BKE-16	16	1440	990	396	10080	6943	2772	150
LIN-11BKE-20	20	2250	1800	900	15750	12600	6300	260
LIN-11BKE-25	25	3625	2953	1523	25375	20670	10658	520
LIN-11BKE-30	30	5100	4250	2278	35700	29735	15948	810
LIN-11BKE-40	40	8000	6810	3800	56000	47660	26600	1480
LIN-11BKE-50	50	12500	10750	6125	87500	75265	42875	2740