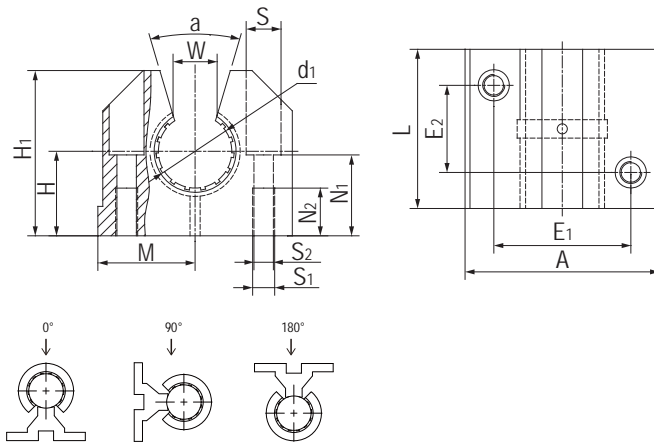


LIN-11BK 开口型直线滑块轴承 Open linear pillow blocks



- 开口式枕块设计
- 装配LIN-11滑动膜
- 阳极氧化铝合金适配器
- 螺栓固定
- 免维护、低噪音
- 适用于污垢或灰尘环境
- 使用温度-50℃/+90℃
- Open block design
- Assembled LIN-11K liners
- Anodized aluminum adapter
- Secured by bolts
- Maintenance-free and low noise
- Resistance to dirt and dust
- Operation temperature -50℃/+90℃

标准规格 Standard specifications



产品编码 Part No.:

LIN-11BK-12

轴承内径 Inner diameter

开口设计滑块 Open design block

LIN-11标准滑动膜
Standard liners LIN-11

轴 Shaft: h6-h9

产品编码 Part No.	d ₁ [mm]	公差 Tolerance [mm]	H ^{+0.01} _{-0.014} [mm]	H ₁ [mm]	A [mm]	M [mm]	E ₁ ± 0.15 [mm]	E ₂ ± 0.15 [mm]	S [mm]	S ₁ [mm]	S ₂ [mm]	W-1 [mm]	N ₁ [mm]	a [°]	N ₂ [mm]	L [mm]
LIN-11BK-12	12	+0.030/+0.088	18	28	43	21.5	32	23	8	M5	4.3	10.2	16.5	78	11	39
LIN-11BK-16	16	+0.030/+0.088	22	35	53	26.5	40	26	10	M6	5.3	11.6	21	78	13	43
LIN-11BK-20	20	+0.030/+0.091	25	42	60	30	45	32	11	M8	6.6	12	24	60	18	54
LIN-11BK-25	25	+0.030/+0.091	30	51	78	39	60	40	15	M10	8.4	14.5	29	60	22	67
LIN-11BK-30	30	+0.040/+0.110	35	60	87	43.5	68	45	15	M10	8.4	16.6	34	57	22	79
LIN-11BK-40	40	+0.040/+0.115	45	77	108	54	86	58	18	M12	10.5	21	44	56	26	91
LIN-11BK-50	50	+0.050/+0.130	50	88	132	66	106	50	20	M16	13.5	25.5	49	54	34	113

产品编码 Part No.	轴径 Shaft [mm]	F max. [N] 最大动载荷 Dynamic Load P=5MPa			F max. [N] 最大静载荷 Static Load P=35MPa			重量 Weight [g]
		0°	90°	180°	0°	90°	180°	
LIN-11BK-12	12	960	635	240	6720	4445	1680	95
LIN-11BK-16	16	1440	990	396	10080	6943	2772	158
LIN-11BK-20	20	2250	1800	900	15750	12600	6300	266
LIN-11BK-25	25	3625	2953	1523	25375	20670	10658	530
LIN-11BK-30	30	5100	4250	2278	35700	29735	15948	818
LIN-11BK-40	40	8000	6810	3800	56000	47660	26600	1485
LIN-11BK-50	50	12500	10750	6125	87500	75265	42875	2750