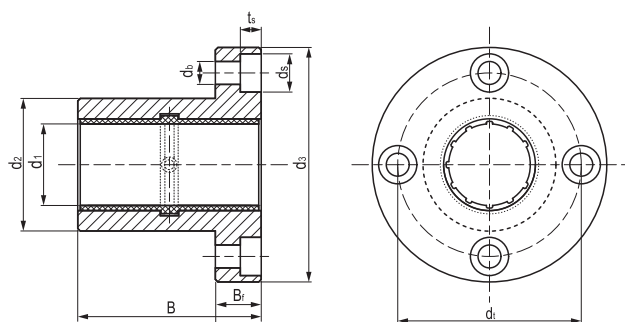


LIN-11RF 圆法兰直线轴承 Round flange linear bearings



- 封闭式圆法兰设计
 - 装配LIN-11滑动膜
 - 阳极氧化铝合金适配器
 - 螺栓固定
 - 免维护、低噪音
 - 适用于污垢或灰尘环境
 - 使用温度-50℃/+90℃
- Closed design with round flange
 - Assembled LIN-11 liners
 - Anodized aluminum adapter
 - Secured by bolts
 - Maintenance-free and low noise
 - Resistance to dirt and dust
 - Operation temperature -50℃/+90℃

标准规格 Standard specifications



产品编码 Part No.:

LIN-11RF-10

- 内径 Inner diameter
- 圆法兰保持器
Round flange aluminum adapter
- LIN-11标准滑动膜
Standard liners LIN-11

座孔 Housing: H7 轴 Shaft: h6-h9

产品编码 Part No.	d ₁ [mm]	公差 Tolerance [mm]	d ₂ h7 [mm]	d ₁ [mm]	d ₃ [mm]	B [mm]	B ₁ [mm]	t _s [mm]	d ₀ [mm]	d _s [mm]
LIN-11RF-06B	6	+0.020/+0.068	12	21	29	22	8	3.1	3.5	6
LIN-11RF-08B	8	+0.025/+0.083	16	24	32	25	8	3.1	3.5	6
LIN-11RF-10	10	+0.030/+0.088	19	29	39	29	9	4.1	4.5	7.5
LIN-11RF-12	12	+0.030/+0.088	22	32	42	32	9	4.1	4.5	7.5
LIN-11RF-16	16	+0.030/+0.088	26	36	46	36	9	4.1	4.5	7.5
LIN-11RF-20	20	+0.030/+0.091	32	43	54	45	11	5.1	5.5	9.0
LIN-11RF-25	25	+0.030/+0.091	40	51	62	58	11	5.1	5.5	9.0
LIN-11RF-30	30	+0.040/+0.110	47	62	76	68	14	6.1	6.6	11.0
LIN-11RF-40	40	+0.040/+0.115	62	80	98	80	18	8.1	9.0	14.0
LIN-11RF-50	50	+0.050/+0.130	75	94	112	100	18	8.1	9.0	14.0

产品编码 Part No.	轴径 Shaft [mm]	座孔 Housing H7 [mm]	公差 Tolerance [mm]	F max. [N] 最大动载荷 Dynamic Load P=5MPa	F max. [N] 最大静载荷 Static Load P=35MPa	重量 Weight [g]
LIN-11RF-06B	6	12	0/+0.018	525	3675	15
LIN-11RF-08B	8	16	0/+0.018	960	6720	20
LIN-11RF-10	10	19	0/+0.021	725	5075	34
LIN-11RF-12	12	22	0/+0.021	960	6720	43
LIN-11RF-16	16	26	0/+0.021	1440	10080	54
LIN-11RF-20	20	32	0/+0.025	2250	15750	91
LIN-11RF-25	25	40	0/+0.025	3625	25375	154
LIN-11RF-30	30	47	0/+0.025	5100	35700	266
LIN-11RF-40	40	62	0/+0.030	8000	56000	555
LIN-11RF-50	50	75	0/+0.030	9000	87500	852