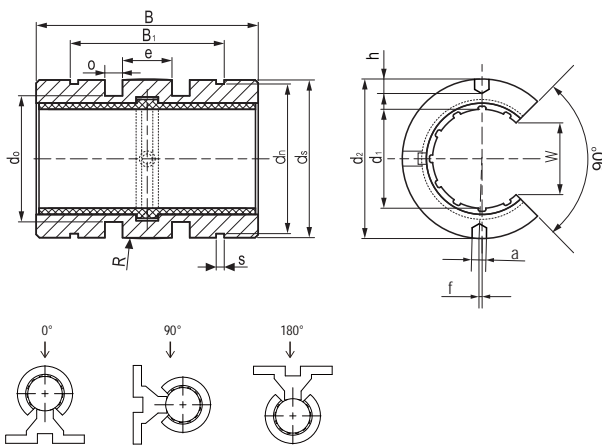


### LIN-11RSK 调心直线轴承 Floating linear bearings, open



- 开口式自动调心设计
- 装配LIN-11K滑动膜
- 阳极氧化铝合金适配器
- 免维护、低噪音
- 适用于污垢或灰尘环境
- 使用温度-50℃/+90℃
- Open and self-aligning design
- Assembled LIN-11K liners
- Anodized aluminum adapter
- Maintenance-free and low noise
- Resistance to dirt and dust
- Operation temperature -50℃/+90℃

### 标准规格 Standard specifications



产品编码 Part No.:

LIN-11RSK-10

内径 Inner diameter

开口式自调整保持器

Open, automatic alignment aluminum adapter

LIN-11K标准滑动膜

Standard liners LIN-11K

座孔 Housing: H7 轴 Shaft: h6-h9

产品编码 Part No.	d <sub>1</sub> [mm]	公差 Tolerance [mm]	d <sub>2</sub> h7 [mm]	d <sub>3</sub> h10 [mm]	e [mm]	o+0.1 [mm]	d <sub>8</sub> h10 [mm]	B <sub>1</sub> H10 [mm]	s H10 [mm]	B h10 [mm]	R [mm]	W-1 [mm]	a+0.1 [mm]	h [mm]	f ± 0.2 [mm]
LIN-11RSK-10	10	+0.030/+0.088	18.8	18.5	5.0	1.86	15.4	21.8	1.30	28.9	13.0	7.3	/	/	/
LIN-11RSK-12	12	+0.030/+0.088	21.8	21.8	6.0	1.86	18.4	22.8	1.30	31.9	18.0	9.0	3.0	1.2	1.33(7°)
LIN-11RSK-16	16	+0.030/+0.088	25.8	25.5	8.0	2.86	20.7	24.9	1.30	35.9	32.0	11.6	2.2	1.2	/
LIN-11RSK-20	20	+0.030/+0.091	31.8	31.5	10.0	2.86	26.7	31.5	1.60	44.8	50.0	12.0	2.2	1.2	/
LIN-11RSK-25	25	+0.030/+0.091	39.8	39.0	12.5	2.86	34.7	44.1	1.85	57.8	39.0	14.5	3.0	1.5	-1.50(-4.3°)
LIN-11RSK-30	30	+0.040/+0.110	46.7	46.0	15.0	2.86	41.7	52.1	1.85	67.8	57.0	16.6	3.0	2.0	2.00(4.9°)
LIN-11RSK-40	40	+0.040/+0.115	61.7	61.0	20.0	2.86	56.7	60.9	2.15	79.8	100.0	21.0	3.0	2.0	1.50(2.8°)
LIN-11RSK-50	50	+0.050/+0.130	74.7	74.0	25.0	2.86	69.7	78.0	2.65	99.8	157.0	25.5	3.0	2.0	2.50(3.8°)

产品编码 Part No.	轴径 Shaft [mm]	座孔 Housing [mm] H7	公差 Tolerance [mm]	F max. [N]			F max. [N]			重量 Weight [g]
				最大动载荷 Dynamic Load P=5MPa	最大静载荷 Static Load P=35MPa	0°	90°	180°		
LIN-11RSK-10	10	19	0/+0.021	725	500	196	5075	3500	1370	9
LIN-11RSK-12	12	22	0/+0.021	960	635	240	6720	4445	1680	14
LIN-11RSK-16	16	26	0/+0.021	1440	990	396	10080	6943	2772	18
LIN-11RSK-20	20	32	0/+0.025	2250	1800	900	15750	12600	6300	32
LIN-11RSK-25	25	40	0/+0.025	3625	2953	1523	25375	20670	10658	71
LIN-11RSK-30	30	47	0/+0.025	5100	4250	2278	35700	29735	15948	109
LIN-11RSK-40	40	62	0/+0.030	8000	6810	3800	56000	47660	26600	237
LIN-11RSK-50	50	75	0/+0.030	12500	10750	6125	87500	75265	42875	386