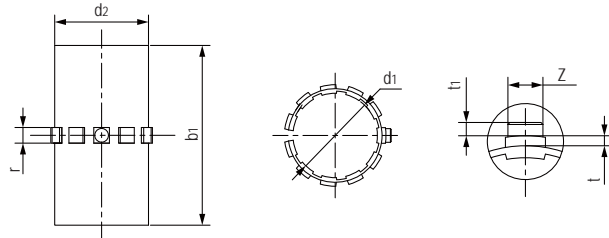


LIN-11 滑动膜 Liners

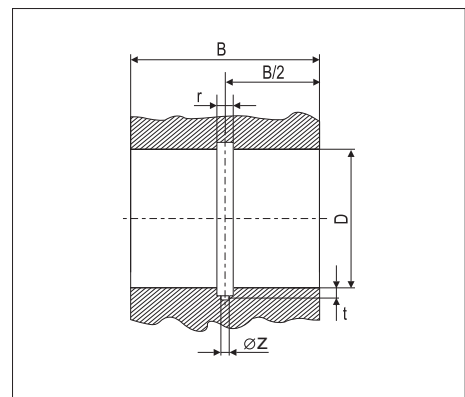


座孔 Housing: H7 轴 Shaft: h6-h9

产品编码 Part No.	d ₁ [mm]	公差 Tolerance [mm]	d ₂ [mm]	b ₁ [mm]	t [mm]	t ₁ [mm]	Z [mm]	r[-0.1/-0.2] [mm]	重量 Weight [g]
LIN-11-10	10	+0.030/+0.070	12	28	0.8	0.8	2.5	3.0	1.3
LIN-11-12	12	+0.030/+0.070	14	31	0.8	1.0	3.0	3.0	1.6
LIN-11-16	16	+0.030/+0.070	18	35	0.8	1.2	3.5	3.5	2.2
LIN-11-20	20	+0.030/+0.070	23	44	0.8	1.2	3.5	5.0	5.0
LIN-11-25	25	+0.030/+0.070	28	57	0.8	1.5	4.0	5.0	8.0
LIN-11-30	30	+0.040/+0.085	34	67	0.8	1.5	4.0	5.0	15.1
LIN-11-40	40	+0.040/+0.085	44	79	1.3	2.0	5.0	6.0	25.6
LIN-11-50	50	+0.050/+0.100	55	99	1.3	2.0	6.0	7.0	50.6

装配尺寸 Installation size

产品编码 Part No.	轴径 Shaft [mm]	D H7 [mm]	B h10 [mm]	r ^{+0.5} [mm]	t ^{+0.05} [mm]	Z ^{+0.2} [mm]
LIN-11-10	10	12	29	3.0	0.8	2.6
LIN-11-12	12	14	32	3.0	1.0	3.1
LIN-11-16	16	18	36	3.5	1.2	3.6
LIN-11-20	20	23	45	5.0	1.2	3.6
LIN-11-25	25	28	58	5.0	1.5	4.1
LIN-11-30	30	34	68	5.0	1.5	4.1
LIN-11-40	40	44	80	6.0	2.0	5.1
LIN-11-50	50	55	100	7.0	2.0	6.1



配合LIN-11滑动膜产品:

LIN-11 Liners are used in:



LIN-11R

LIN-11RF

LIN-11B

产品编码 Part No.:

LIN-11-10

内径 Inner diameter

标准系列11 Standard series 11