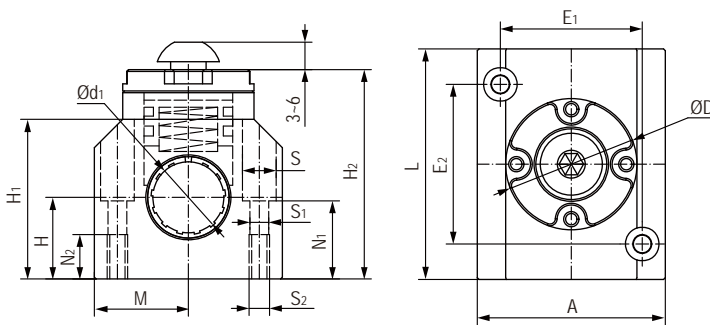


LIN-12BLP 预紧加长型直线轴承滑块 Preload and long design pillow blocks



- 封闭式加长型枕块设计
 - 装配2个LIN-12滑动膜
 - 带预紧力调节装置
 - 阳极氧化铝合金适配器
 - 免维护、低噪音
 - 适用于污垢或灰尘环境
 - 使用温度-50℃/+90℃
- Closed block design and increased the guide length
 - Assembled 2pcs liners LIN-12
 - Preload adjustable device
 - Anodized aluminum adapter
 - Maintenance-free and low noise
 - Resistance to dirt and dust
 - Operation temperature -50℃/+90℃

标准规格 Standard specifications



产品编码 Part No.:

LIN-12BLP-12

轴承内径 Inner diameter

加长型预紧设计 Preload long design

 LIN-12标准滑动膜
Standard liners LIN-12

轴 Shaft: h6-h9

产品编码 Part No.	d_1 [mm]	公差 Tolerance [mm]	H $^{+0.01}$ $_{-0.014}$ [mm]	H_1 [mm]	H_2 [mm]	A [mm]	M [mm]	$E \pm 0.15$ [mm]	$E_1 \pm 0.15$ [mm]	S [mm]	S_1 [mm]	S_2 [mm]	N_1 [mm]	N_2 [mm]	D [mm]	L [mm]
LIN-12BLP-12	12	+0.030/+0.088	17	33	43	40	20	29	35	8	4.3	M5	16	11	28	60
LIN-12BLP-16	16	+0.030/+0.088	19	38	50	45	22.5	34	40	8	4.3	M5	18	11	32	65
LIN-12BLP-20	20	+0.030/+0.091	23	45	59	53	26.5	40	45	9.5	5.3	M6	22	13	37	65
LIN-12BLP-25	25	+0.030/+0.091	27	54	70	62	31	48	55	11	6.6	M8	26	18	42	85
LIN-12BLP-30	30	+0.040/+0.110	30	60	76	67	33.5	53	70	11	6.6	M8	29	18	48	105

产品编码 Part No.	轴径 Shaft [mm]	F max. [N] 最大动载荷 Dynamic Load $P=5MPa$	F max. [N] 最大静载荷 Static Load $P=35MPa$	重量 Weight [g]
LIN-12BLP-12	12	1200	8286	189
LIN-12BLP-16	16	1720	12040	261
LIN-12BLP-20	20	1900	13300	399
LIN-12BLP-25	25	3250	22750	639
LIN-12BLP-30	30	3900	27300	931