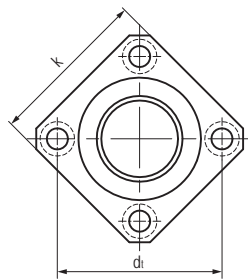
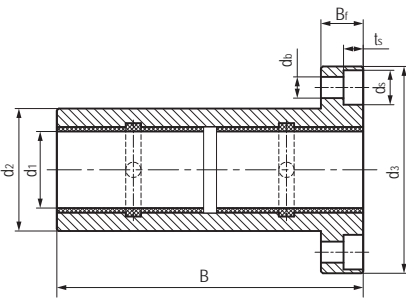


LIN-12RTL加长型方法兰塑料直线轴承 Angular flang linear bearings(long design)



- 封闭式方法兰加长设计
- 装配2个LIN-12滑动膜
- 阳极氧化铝合金适配器
- 螺栓固定
- 免维护、低噪音
- 适用于污垢或灰尘环境
- 使用温度 -50℃/+90℃
- Closed design with square flange
- Assembled 2pcs liners LIN-12
- Anodized aluminum adapter
- Secured by bolts
- Maintenance-free and low noise
- Resistance to dirt and dust
- Operation temperature -50℃/+90℃

标准规格 Standard specifications



产品编码 Part No.:

LIN-12RTL-10

内径 Inner diameter

方法兰加长型保持器
Angular flang aluminum adapter (long design)

LIN-12标准滑动膜
Standard liners LIN-12

座孔 Housing: H7 轴 Shaft: h6-h9

| 产品编码 Part No. | d ₁ [mm] | 公差 Tolerance [mm] | d ₂ h7 [mm] | d ₃ [mm] | d ₄ [mm] | k [mm] | B [mm] | B _f [mm] | t _s [mm] | d ₅ [mm] | d ₆ [mm] |
|------------------|------------------------|----------------------|---------------------------|------------------------|------------------------|-----------|-----------|------------------------|------------------------|------------------------|------------------------|
| LIN-12RTL-10 | 10 | +0.030/+0.088 | 19 | 39 | 29 | 30 | 52 | 9 | 4.1 | 4.5 | 7.5 |
| LIN-12RTL-12 | 12 | +0.030/+0.088 | 22 | 42 | 32 | 32 | 57 | 9 | 4.1 | 4.5 | 7.5 |
| LIN-12RTL-16 | 16 | +0.030/+0.088 | 26 | 46 | 36 | 35 | 70 | 9 | 4.1 | 4.5 | 7.5 |
| LIN-12RTL-20 | 20 | +0.030/+0.091 | 32 | 54 | 43 | 42 | 80 | 11 | 5.1 | 5.5 | 9 |
| LIN-12RTL-25 | 25 | +0.030/+0.091 | 40 | 62 | 51 | 50 | 112 | 11 | 5.1 | 5.5 | 9 |
| LIN-12RTL-30 | 30 | +0.030/+0.110 | 47 | 76 | 62 | 60 | 123 | 14 | 6.1 | 6.6 | 11 |
| LIN-12RTL-40 | 40 | +0.030/+0.115 | 62 | 98 | 80 | 75 | 151 | 18 | 8.1 | 9 | 14 |
| LIN-12RTL-50 | 50 | +0.030/+0.130 | 75 | 112 | 94 | 88 | 192 | 18 | 8.1 | 9 | 14 |

| 产品编码 Part No. | 轴径 Shaft [mm] | 座孔 Housing h7 [mm] | 公差 Tolerance [mm] | F max. [N] 最大动载荷 Dynamic Load P=5MPa | F max. [N] 最大静载荷 Static Load P=35MPa | 重量 Weight [g] |
|------------------|------------------|-----------------------|----------------------|--|--|------------------|
| LIN-12RTL-10 | 10 | 19 | 0/+0.021 | 1300 | 9100 | 44 |
| LIN-12RTL-12 | 12 | 22 | 0/+0.021 | 1680 | 11760 | 57 |
| LIN-12RTL-16 | 16 | 26 | 0/+0.021 | 2400 | 16800 | 79 |
| LIN-12RTL-20 | 20 | 32 | 0/+0.025 | 3000 | 21000 | 126 |
| LIN-12RTL-25 | 25 | 40 | 0/+0.025 | 5000 | 35000 | 249 |
| LIN-12RTL-30 | 30 | 47 | 0/+0.025 | 7500 | 52500 | 388 |
| LIN-12RTL-40 | 40 | 62 | 0/+0.030 | 12000 | 84000 | 835 |
| LIN-12RTL-50 | 50 | 75 | 0/+0.030 | 17500 | 122500 | 1352 |