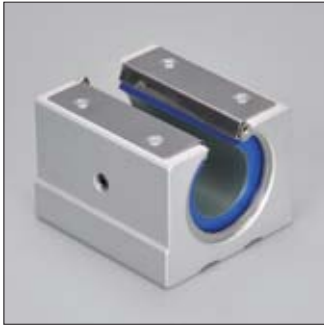
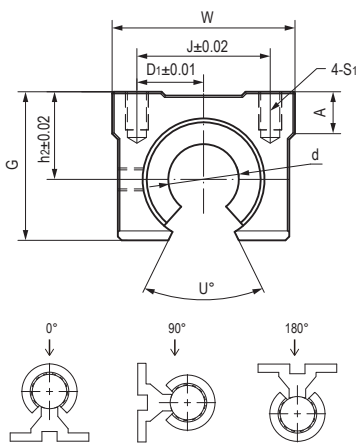


LINP-11GK 标准型开口直线轴承座 Open pillow blocks



- 开口型轴承座设计
- 高精度与滚珠轴承相同
- 标准滑动膜材料TEFPLAS[®] B
可选高耐磨材料TEFPLAS[®] G和符合FDA标准材料TEFPLAS[®] E
- 阳极氧化铝合金座孔
- 螺栓固定
- 免维护、低噪音
- 使用温度 $\pm 200^{\circ}\text{C}$
- Open housing design
- High precision similar to preloaded ball bearing
- Standard liner material TEFPLAS[®] B
Available materials: TEFPLAS[®] G and E
- Anodized aluminum housing
- Secured by bolts
- Maintenance-free and low noise
- Operation temperature $\pm 200^{\circ}\text{C}$

标准规格 Standard specifications



产品编码 Part No.:

LINPB-11GK-16-C

- 补偿间隙 Compensated Clearance
- 轴承内径 Inner diameter
- 开口设计直线轴承座 Pillow block, open design
- 长设计 Long design
- 滑动膜材料 Liner material: B/G/E

轴 Shaft: h6-h7

产品编码 Part No.	内装轴承 Bearing [mm]	轴径 Shaft [mm]	尺寸 Size [mm]										
			W	G	A	M	h ₂	D	U°	J	K	S ₁	S ₂
LINPB-11GK-12	LINPB-11RK-12	12	40	27.6	8	39	17	14	80	28	26	M5*10	Φ4.5
LINPB-11GK-16	LINPB-11RK-16	16	45	33	9	45	20	22.5	80	32	30	M5*10	Φ5.5
LINPB-11GK-20	LINPB-11RK-20	20	48	39	11	50	23	24	60	35	35	M6*12	Φ5.5
LINPB-11GK-25	LINPB-11RK-25	25	60	47	14	65	27	30	50	40	40	M6*12	Φ6.6
LINPB-11GK-30	LINPB-11RK-30	30	70	56	15	70	33	35	50	50	50	M8*18	Φ6.6
LINPB-11GK-40	LINPB-11RK-40	40	90	72	20	90	42	45	50	65	65	M10*25	Φ9
LINPB-11GK-50	LINPB-11RK-50	50	120	92	25	110	53	60	50	94	80	M10*25	Φ11

产品编码 Part No.	内径LD [mm]	公差 Tolerance [mm]	F max. [N] 材料 Material: B 最大动载荷 Dynamic Load			F max. [N] 材料 Material: B 最大静载荷 Static Load			重量 Weight [g]
			0°	90°	180°	0°	90°	180°	
LINPB-11GK-12	12	+0.016/+0.043	3840	3190	960	7680	6381	1920	79
LINPB-11GK-16	16	+0.016/+0.043	5760	4864	1584	11520	9727	3168	125
LINPB-11GK-20	20	+0.020/+0.053	9000	8100	3600	18000	16200	7200	159
LINPB-11GK-25	25	+0.020/+0.053	14500	13154	6090	29000	26309	12180	343
LINPB-11GK-30	30	+0.020/+0.053	20400	18700	9112	40800	37400	18224	450
LINPB-11GK-40	40	+0.020/+0.064	32000	29600	15200	64000	59200	30400	1021
LINPB-11GK-50	50	+0.020/+0.064	50000	46650	25000	100000	93300	50000	1871